





Spare parts catalogue **1100 U.S.A.**

DUCATI *HYPERMOTARD*

DUCATI MOTOR HOLDING  1100	M.Y. '08	U.S.A.
Spare Parts Department P.N.91512581B	Marzo - March '07	Edizione - Edition 00
DUCATI MOTOR HOLDING  1100	M.Y. '08	U.S.A.
Spare Parts Department P.N.91512581B	Marzo - March '07	Edizione - Edition 00
DUCATI MOTOR HOLDING  1100	M.Y. '08	U.S.A.
Spare Parts Department P.N.91512581B	Marzo - March '07	Edizione - Edition 00
DUCATI MOTOR HOLDING  1100	M.Y. '08	U.S.A.
Spare Parts Department P.N.91512581B	Marzo - March '07	Edizione - Edition 00

GENERAL INFORMATION

The present spare parts order exactly the right spare parts

When ordering specify:

1) the part's code number followed by its description; quantity needed;

2) the motorcycle's serial number, stamped on the steering head.

Reference to right and left apply to the vehicle in terms of its direction of movement.

Spare parts drawings are general and do not represent the part.

The contents of this catalogue are general and can undergo changes without prior notice.

VALIDITY

f.m. Until V.I.N.
d.m. From V.I.N.
f.m.m. Up to engine number
d.m.m. From engine number

LIST

CAL California
CND Canada

*Ducati Motor Holding S.p.A.
Commercial and Administration Office:
Via A. Cavalieri Ducati n. 3
40132 Bologna, Italy
Telefono 051 6413111
Fax 051 406580
Internet www.ducati.com*

CATALOGUE No: 915.1.258.1B
ISSUED: 03 - 07

CATALOGUE No: 915.1.258.1B
ISSUED: 03 - 07

PAINTS

Paint	Code
-------	------

"Rosso Anniversary DUCATI"

(PPG) F_473.101

"Trasparente"

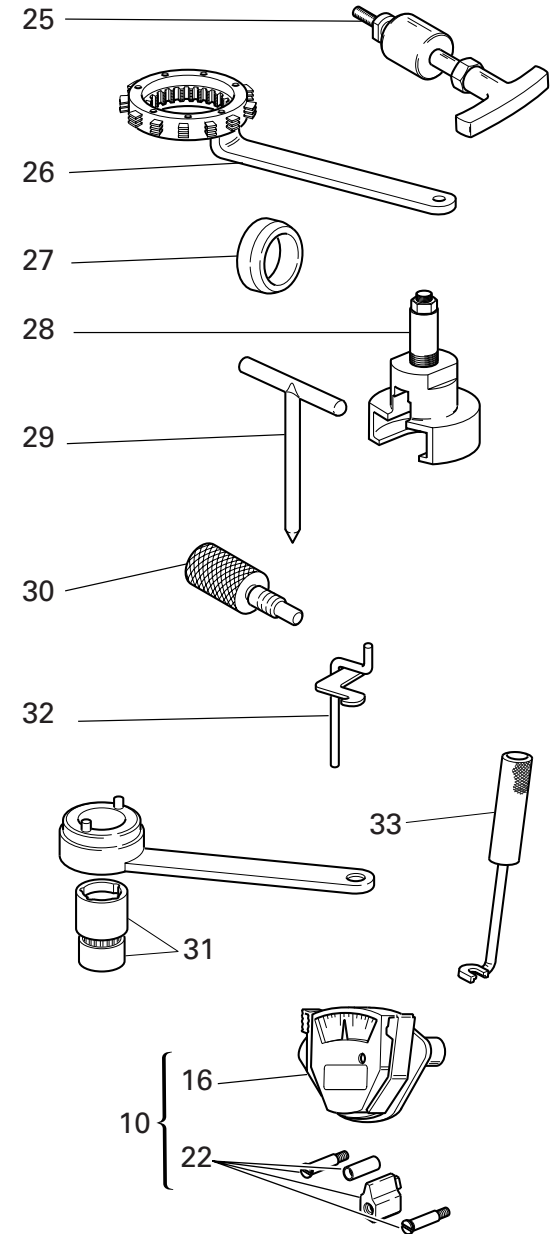
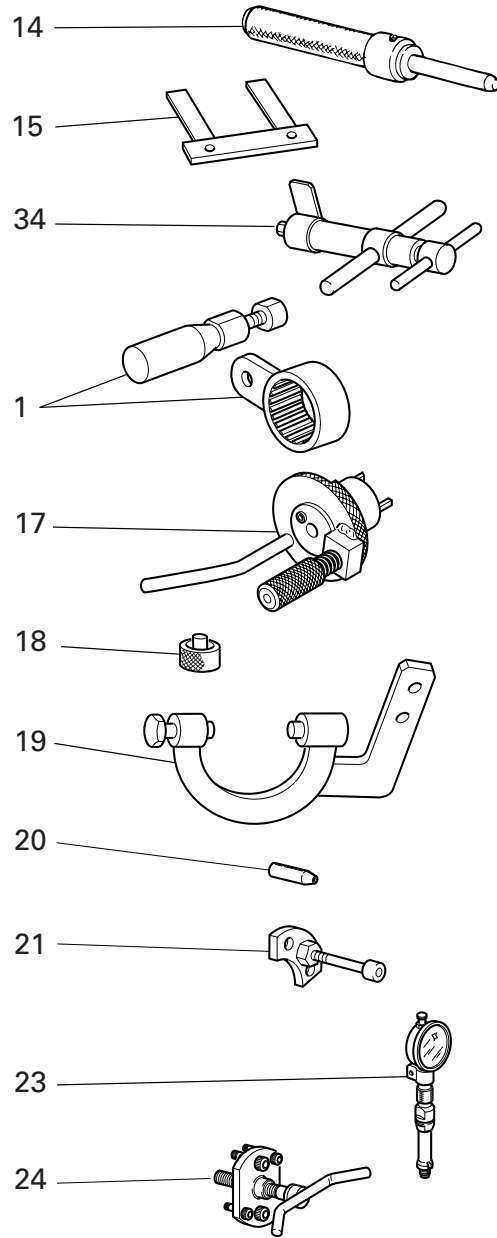
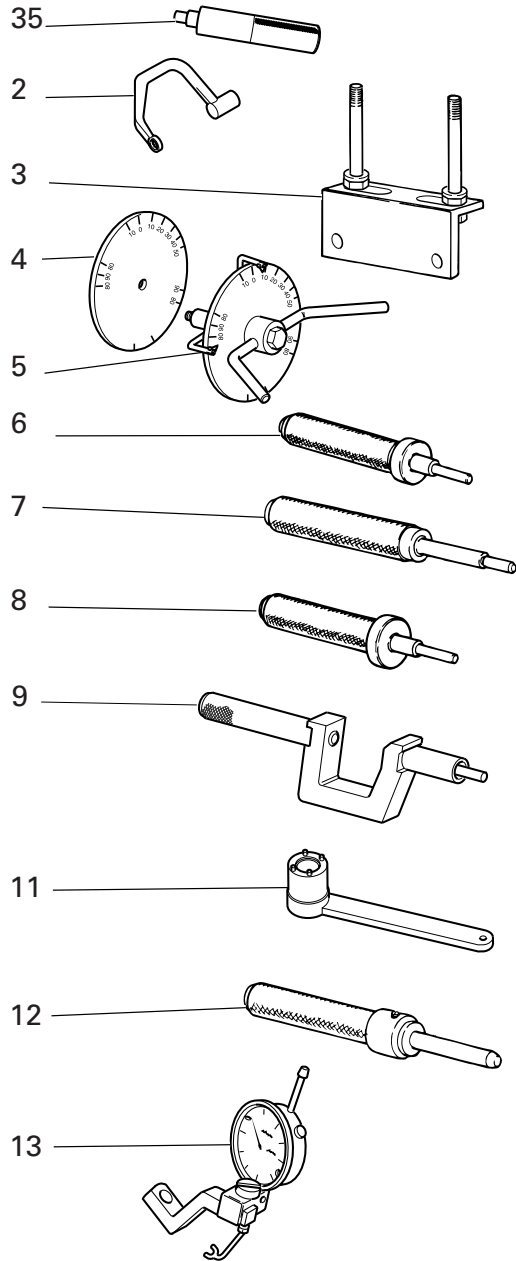
(PPG) 228.880



page	CONTENTS
4	001 WORKSHOP SPECIAL TOOLS
6	001a WORKSHOP SPECIAL TOOLS
8	001b DIAGNOSIS TESTER DDS
10	001c WORKSHOP SPECIAL TOOLS
12	002 GEARCHANGE
14	003 GEAR-BOX
16	004 CLUTCH
18	005 CLUTCH COVER
20	006 CRANKSHAFT
22	007 CYLINDERS - PISTONS
24	008 TIMING
26	009 FILTERS AND OIL PUMP
28	010 CRANKCASES
30	011 ALTERNATOR COVER
32	012 ELECTRIC STARTER AND IGNITION
34	013 HEAD : TIMING
36	014 VERTICAL HEAD
38	015 HORIZONTAL HEAD
40	016 INTAKE MANIFOLDS
42	017 EXHAUST SYSTEM
44	018 STANDS
46	019 ELECTRIC SYSTEM
48	020 ELECTRIC SYSTEM
50	021 FRONT HEADLIGHT & INSTR. PANEL
52	022 NUMBER PLATE HOLDER
54	023 FRONT FORK
56	024 FRONT AND REAR WHEELS
58	025 REAR WHEEL PIN
60	026 HANDLEBAR AND CONTROLS
62	027 CLUTCH CONTROL
64	028 FRONT BRAKE
66	029 REAR BRAKE
68	030 FRAME
70	031 R.H. FOOT RESTS
72	031a L.H. FOOT RESTS
74	032 SWINGING ARM
76	033 REAR SUSPENSION
78	034 AIR INTAKE AND OIL VENT
80	035 OIL COOLER
82	036 FUEL TANK
84	037 FUEL SYSTEM
86	038 SEAT - REAR LIGHT
88	039 HEADLIGHT FAIRING
90	039a FAIRING
92	040 FUEL INFEED
94	041 MARKING PLATES

DRAWING 001

WORKSHOP SPECIAL TOOLS




DRAWING 001

WORKSHOP SPECIAL TOOLS

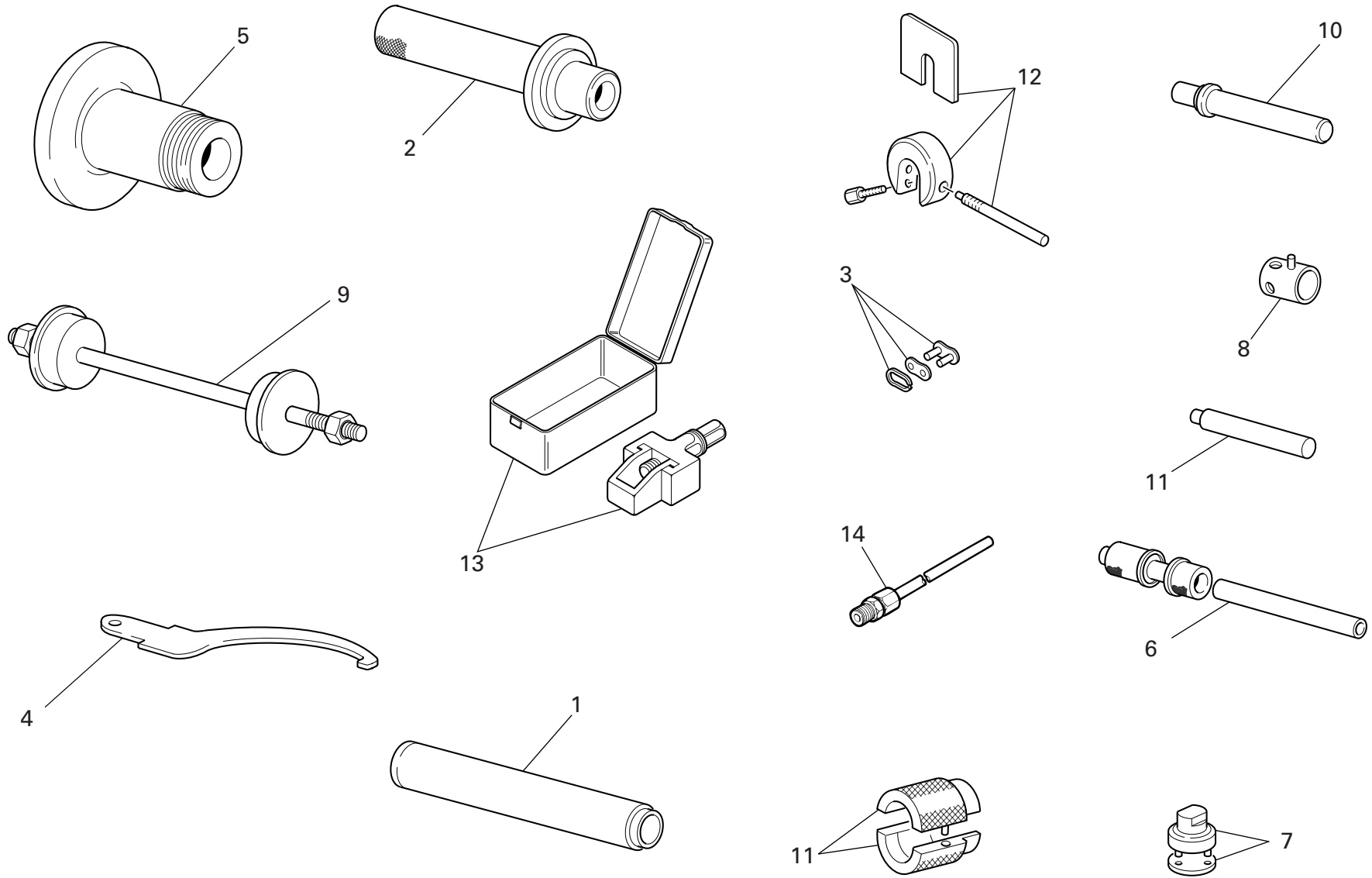
NOTES NO.	CODE NO.	DESCRIPTION	VALIDITY	Q.TY 
1	88713.2355	Wrench for holding timing belt rollers ring nuts		1
2	88713.2676	Head nuts holder wrench		1
3	88713.2103	Head mounting base		1
4	98112.0002	Degree wheel		1
5	88713.0123	Degree wheel holder tool for ignition advance check		1
6	88713.0874	Exhaust valve guide punch tool		1
7	88713.0879	Punch tool to extract valve guide		1
8	88713.0875	Intake valve guide punch tool		1
9	88713.1429	Tool to drive valve seal ring ø7		1
10	051.2.001.1A	Torque wrench for timing belt		1
11	88713.0137	Crankshaft gear holder wrench for tightening nut		1
12	88713.1078	Punch tool for driving exhaust valve seat		1
13	88765.1058	Valve lift gauge		1
14	88713.1079	Punch tool for driving intake valve seat		1
15	88765.1000	Fork feeler gauge 0.1 mm		1
15	88765.1005	Fork feeler gauge 0,2 mm		1
15	88765.1006	Fork feeler gauge 0.3 mm		1
16	88765.0999	Timing belt control gauge		1
17	88713.2011	Tool to hold crankshaft in TDC position		1
18	88765.1298	Spacer for checking lower valve shim		1
19	88713.2036	Flywheel Wrench		1
20	88700.5749	Crankcases assembling cap		1
21	88713.1091	Plate for positioning gear engagement fork		1
22	88765.1086	Conversion kit for 2V belts tensioning tool		1
23	88765.1297	T.D.C. control gauge		1

CATALOGUE No: 915.1.258.1B
ISSUED: 03 - 07


NOTES NO.	CODE NO.	DESCRIPTION	VALIDITY	Q.TY 
24	88713.1749	Drive roller puller		1
25	88713.1994	Rocker shaft extractor		1
26	88713.2133	Wrench to hold clutch housing drum steady		1
27	88700.5665	Sleeve for installing clutch bell gear		1
28	88713.2092	Extractor for primary drive gear		1
29	88713.0262	Pin for assembling rocker arms		1
30	88713.2282	Belt roller timing of two-valva head		1
31	88700.5644	Wrench for camshaft pulley ring nut adjustment		1
32	88713.2362	Tool for assembling closing rocker and spring		1
33	88713.0844	Half-rings mounting punch tool		1
34	88713.1215	Torque wrench for timing belt		1
35	88713.2669	Roller cage fitting tool on primary shaft		1

CATALOGUE No: 915.1.258.1B
ISSUED: 03 - 07

DRAWING 001a WORKSHOP SPECIAL TOOLS

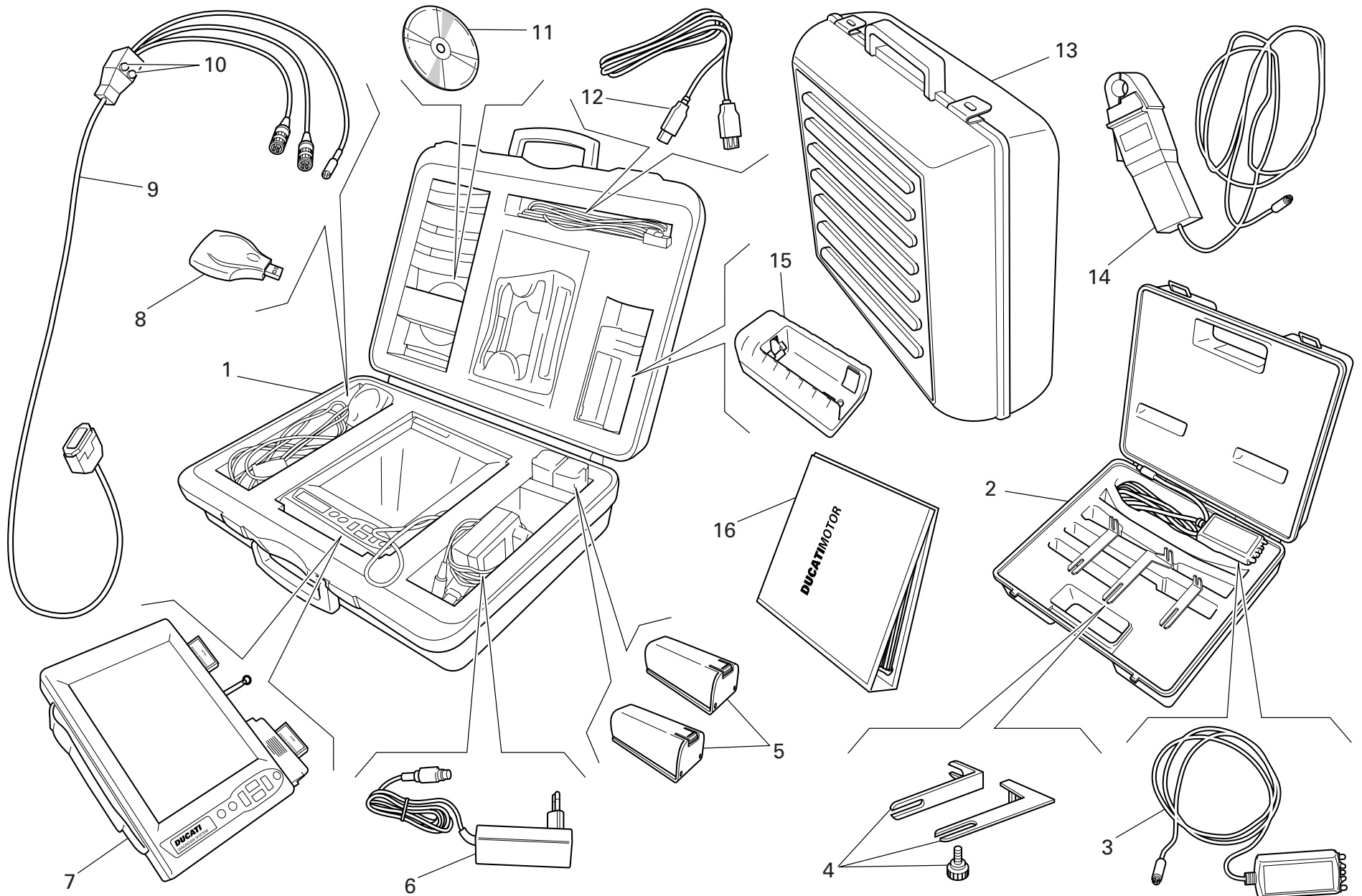


DRAWING 001a WORKSHOP SPECIAL TOOLS


NOTES NO.	CODE NO.	DESCRIPTION	VALIDITY	Q.TY 
1	88713.1072	Stopper for driving the half bearing of the steering head base		1
2	88713.1068	Stopper for assembling the rear fork roller bearings		1
3	677.4.002.1A	Coupling		1
4	88713.1038	Wrench for adjusting the eccentric hub		1
5	88713.1073	Tool for balancing rear wheel		1
6	88713.2409	Tool for assembling the swingarm ball bearings		1
7	88713.1058	Wrench for assembling the steering head cap		1
8	8000.70139	Wrench for front wheel spindle		1
9	88713.1062	Tool for assembling the steering head bearings		1
10	88713.1071	Stopper for assembling the rocker needle bearings		1
11	88713.1096	Tool for overhauling SHOWA forks - assembling seal ring		1
12	88713.0957	Tool for holding SHOWA fork spacer		1
13	88713.1344	Tool for assembling chain		1
14	88713.1010	Union for exhaust gas suction		1

NOTES NO.	CODE NO.	DESCRIPTION	VALIDITY	Q.TY 
-----------	----------	-------------	----------	--

DRAWING 001b DIAGNOSIS TESTER DDS

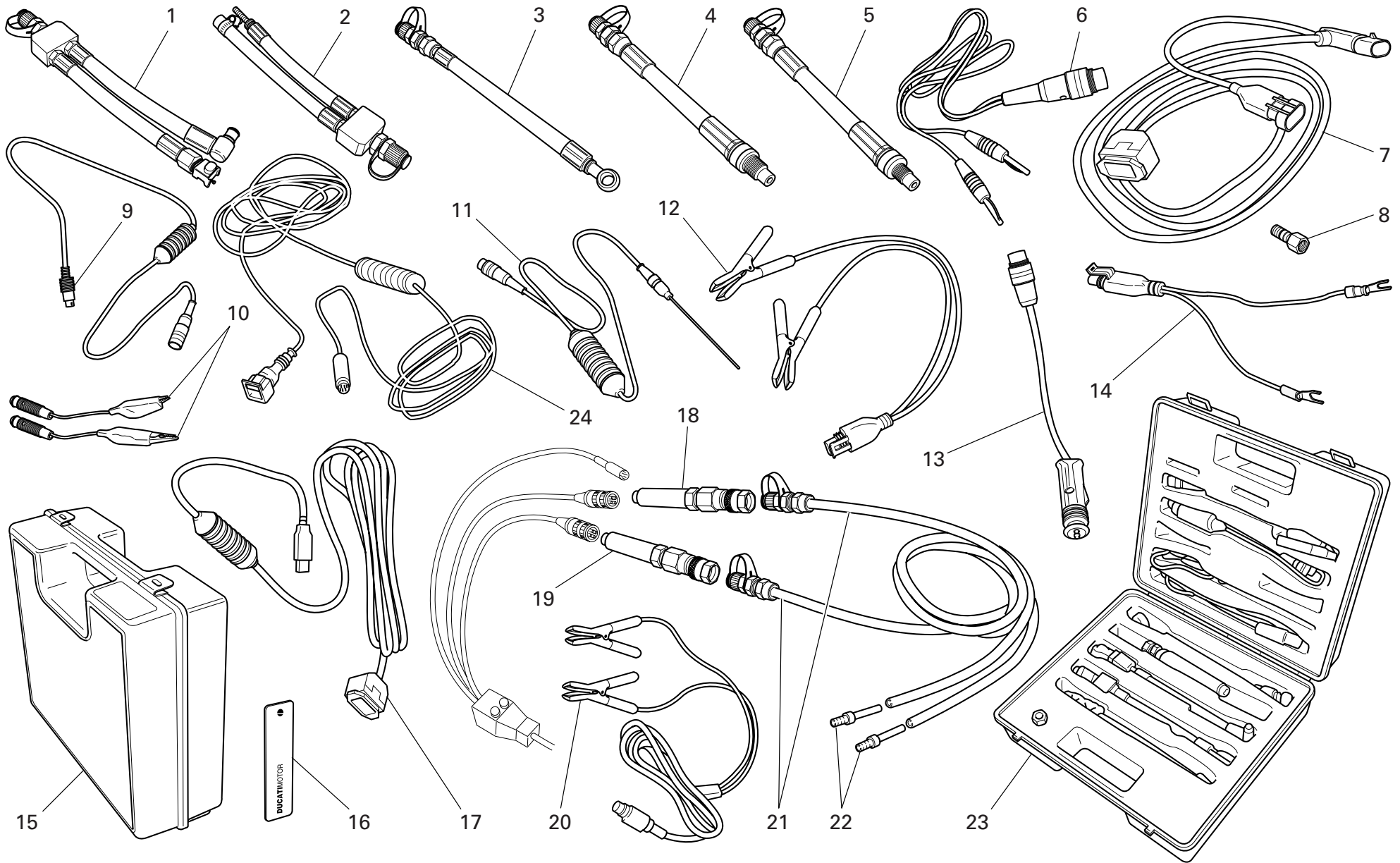


DRAWING 001b DIAGNOSIS TESTER DDS

NOTES NO.	CODE NO.	DESCRIPTION	VALIDITY	Q.TY 
1	97900.0215	DDS (Ducati Diagnosis System) + manifold vacuum meter. kit		1
2	97900.0002	Belt tensioning kit		1
3	88765.1371	Sensor		1
4	88765.1374	Bracket		1
5	97900.0216	Battery		2
6	97900.0224	Feeder		1
7	97900.0211	Bare DDS		1
8	97900.0225	(USB) Memory card reader		1
9	97900.0222	Main cable 1060838		1
10	97900.0219	Fuse		2
11	97900.0223	Software DDS CD		1
12	97900.0226	(USB) Cable extension		1
13	97900.0229	Black case with sponge rubber		1
14	97900.0234	Amperometer plier		1
15	97900.0217	Battery charger		1
16	97900.0232	DDS manual		1

NOTES NO.	CODE NO.	DESCRIPTION	VALIDITY	Q.TY 
-----------	----------	-------------	----------	--

DRAWING 001c WORKSHOP SPECIAL TOOLS



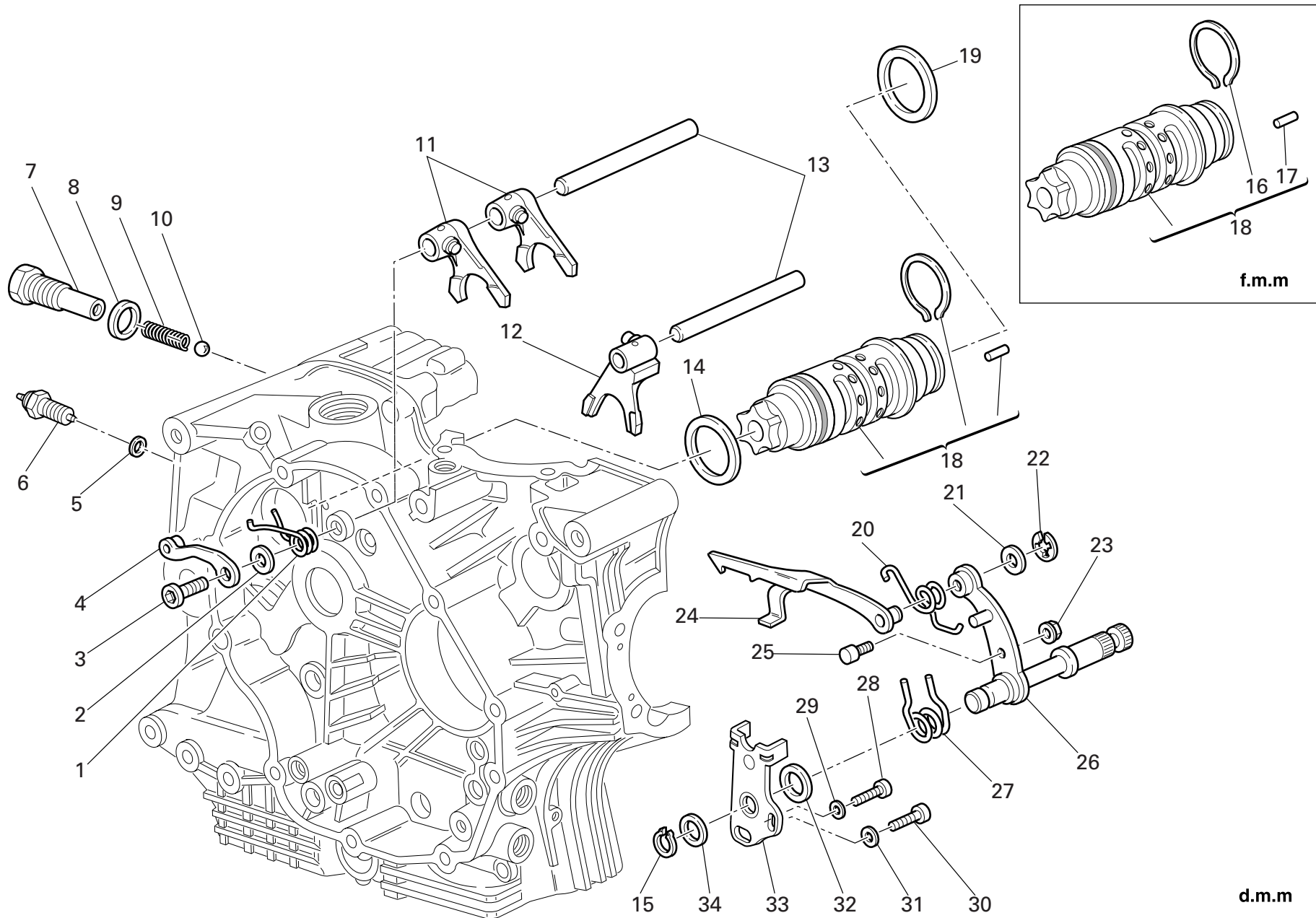
DRAWING 001c WORKSHOP SPECIAL TOOLS

NOTES NO.	CODE NO.	DESCRIPTION	VALIDITY	Q.TY 
1	590.1.189.1A	Fuel pressure line HS.		1
2	590.1.190.1A	Fuel pressure line ST/SS/M.		1
3	875.1.065.1A	Oil pressure line		1
4	552.1.037.1A	Fitting - cylinder compression M12		1
5	552.1.038.1A	Fitting - cylinder compression M10		1
6	514.1.037.1A	Cable Volt PF DUC 21		1
7	97900.0227	Main cable D607		1
8	814.1.114.1A	Oil pressure fitting		1
9	514.1.032.1A	Cable for supplementary tests		1
10	514.1.035.1A	Red clamp cable		1
10	514.1.036.1A	Black clamp cable		1
11	552.1.040.1A	Temperature probe		1
12	97900.0228	Battery connection adapter		1
13	514.1.033.1A	Electric lighter connection adapter (ST)		1
14	514.1.038.1A	Battery connection adapter		1
15	698.1.033.1A	Red case with sponge rubber		1
16	88765.1126T	DUCATI sticker RH/LH side		2
17	97900.0231	(USB) Adaptor		1
18	97900.0218	Depressure sensor		1
19	552.1.039.1A	Pressure sensor		1
20	97900.0230	Feeder		1
21	97900.0220	Depressure/pressure line		2
22	97900.0221	Union		4
23	97900.0003	Pressure kit		1
24	88765.1126C	Cable for potentiometer adjustment		1

NOTES NO.	CODE NO.	DESCRIPTION	VALIDITY	Q.TY 
-----------	----------	-------------	----------	--

DRAWING 002

GEARCHANGE




d.m.m

DRAWING 002

GEARCHANGE

NOTES NO.	CODE NO.	DESCRIPTION	VALIDITY	Q.TY 
1	799.1.049.1A	Return spring		1
2	852.1.053.2A	Washer		1
3	779.1.039.1A	Special screw		1
4	455.2.003.1A	Gear stopper assembly		1
5	852.5.024.1A	Gasket th.1		1
6	539.1.021.1B	Switch		1
7	779.1.203.3A	Special screw		1
8	0272.91.090	Gasket		1
9	0660.13.143	Gear selector spring		1
10	76835.1134	Ball		1
11	180.1.001.1A	1st,4th-2nd,3rd gear selector fork		2
12	180.1.002.1A	5th,6th gear selector fork		1
13	0660.13.070	Fork pin		2
14	852.1.005.1A	Shim th. 1		1
15	73500.1542	Circlip		1
16	882.1.006.1A	Needle retaining ring (square cross-section)	f.m.m.007459	1
17	821.1.070.1A	Pin	f.m.m.007459	6
18	182.2.026.3A	Complete gearbox drum	f.m.m.007459	1
18	182.2.028.1A	Complete gearbox drum	d.m.m.007460	1
19	0660.13.060	Shim th. 1		1
19	852.1.094.1A	Shim th. 0.9		1
20	799.1.025.1A	Fork return spring		1
21	0400.09.050	Shim th. 0.5		1
21	0765.92.205	Shim th. 0.2		2
22	884.5.034.1A	Ring		1
23	748.1.040.1A	Nut		1
24	180.1.008.1A	Gearbox drum control fork		1

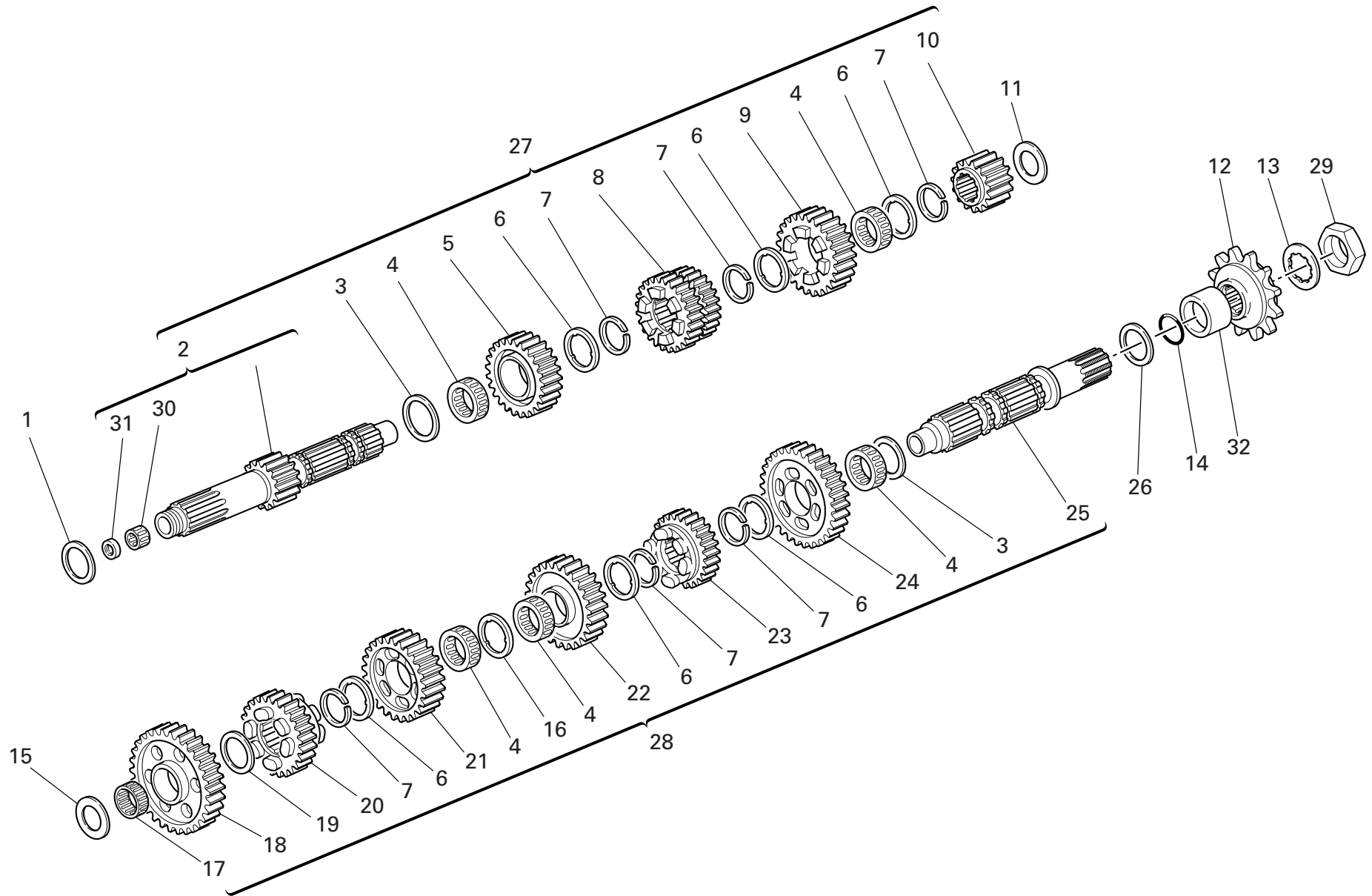
CATALOGUE No: 915.1.258.1B
ISSUED: 03 - 07

NOTES NO.	CODE NO.	DESCRIPTION	VALIDITY	Q.TY 
25	0660.13.165	Gearchange lever pin		1
26	821.1.001.1A	Pin with gearchange lever		1
27	0799.13.110	Gearchange lever return spring		1
28	771.1.026.3A	Screw		1
29	852.1.172.1A	Washer		1
30	771.5.123.8B	Screw		1
31	852.1.174.1A	Washer		1
32	881.1.012.1A	Centering ring		1
33	826.1.009.1A	Stopper plate		1
34	0400.29.125	Shim th. 0.2		2
34	0400.29.126	Shim th. 0.5		1

CATALOGUE No: 915.1.258.1B
ISSUED: 03 - 07


DRAWING 003


GEAR-BOX



DRAWING 003

GEAR-BOX

NOTES NO.	CODE NO.	DESCRIPTION	VALIDITY	Q.TY 
1	0251.47.054	Shim th. 1.2		1
2	149.1.004.1A	Gearbox main shaft		1
3	0670.16.150	Shim th. 0.5		2
4	701.4.005.1A	Needle bearing		5
5	172.1.004.3A	Driving gear 5th sp.		1
6	856.1.001.1A	Grooved washer th. 0.5		6
7	0670.16.145	Snap ring		6
8	172.1.003.3A	Driving gear 3rd/4th sp.		1
9	172.1.005.3A	Driving gear 6th sp.		1
10	172.1.002.1B	Driving gear 2nd sp.		1
11	713.1.014.1E	Shim th. 1.6		1
12	449.1.045.1A	Front sprocket w/rubber protection Z=15		1
13	851.1.004.1A	Lock washer		1
14	930.4.023.1A	O-ring		1
15	713.1.266.1A	Spacer th. 3,15		1
16	856.1.031.1A	Grooved washer th. 0.5		1
17	76402.0002	Needle bearing		1
18	172.1.218.2A	Driven gear 1st sp.		1
19	0670.16.155	Shim th. 1		1
20	172.1.010.3A	Driven gear 5th sp.		1
21	172.1.009.1A	Driven gear 4th sp.		1
22	172.1.008.1A	Driven gear 3rd sp.		1
23	172.1.011.3A	Driven gear 6th sp.		1
24	172.1.219.2A	Driven gear 2nd sp.		1
25	149.1.061.1A	Gearbox lay shaft		1
26	0670.16.170	Shim th. 0.8		1
27	150.2.072.2A	Complete main shaft		1

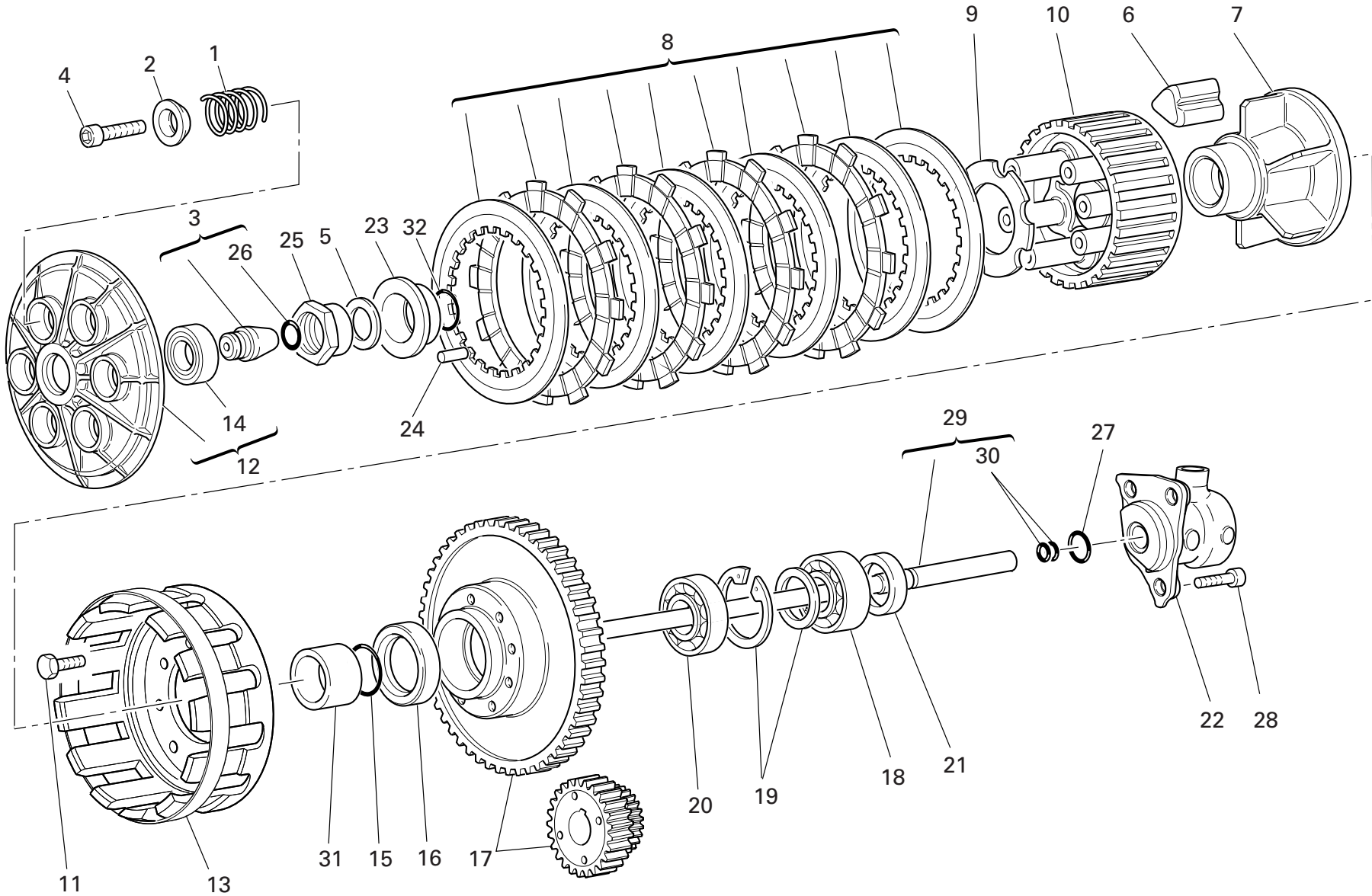
NOTES NO.	CODE NO.	DESCRIPTION	VALIDITY	Q.TY 
28	150.2.063.2A	Gearbox lay shaft		1
29	750.1.007.1A	Nut		1
30	702.5.044.1A	Needle bearing		1
31	930.4.049.1A	Seal ring		1
32	713.1.157.1A	Spacer		1

CATALOGUE No: 915.1.258.1B
ISSUED: 03 - 07

CATALOGUE No: 915.1.258.1B
ISSUED: 03 - 07

DRAWING 004


CLUTCH



DRAWING 004

CLUTCH

NOTES NO.	CODE NO.	DESCRIPTION	VALIDITY	Q.TY 
1	0659.16.555	Clutch spring		6
2	841.1.002.2A	Retainer		6
3	818.2.009.1A	Clutch control pin		1
4	771.5.043.8B	Screw		6
5	851.4.001.1A	Lock washer		1
6	764.1.003.1B	Rubber pad		12
7	162.1.001.1B	Plate holder hub		1
8	190.2.011.1A	Clutch plates set		1
9	851.1.001.1B	Lock washer		1
10	196.1.001.2B	Clutch drum		1
11	70610.8120	Screw		8
12	194.2.015.2A	Pressure plate		1
13	198.1.029.1A	Clutch housing		1
14	702.5.016.1A	Bearing		1
15	463.2.053.7A	O-ring		1
16	930.4.035.1A	Seal ring		1
17	170.2.020.1B	Clutch/crankshaft gears pair		1
18	75113.2566	Bearing		1
19	881.2.001.1A	Circlip - spacer		1
20	702.4.017.1A	Bearing		1
21	0660.16.145	Spacer		1
22	195.4.003.1A	Piston assembly		1
23	710.1.002.1A	Bush		1
24	74224.0570	Pin		1
25	750.1.002.1B	Nut		1
26	886.4.118.1A	O-ring		1
27	886.4.043.1A	O-ring		1

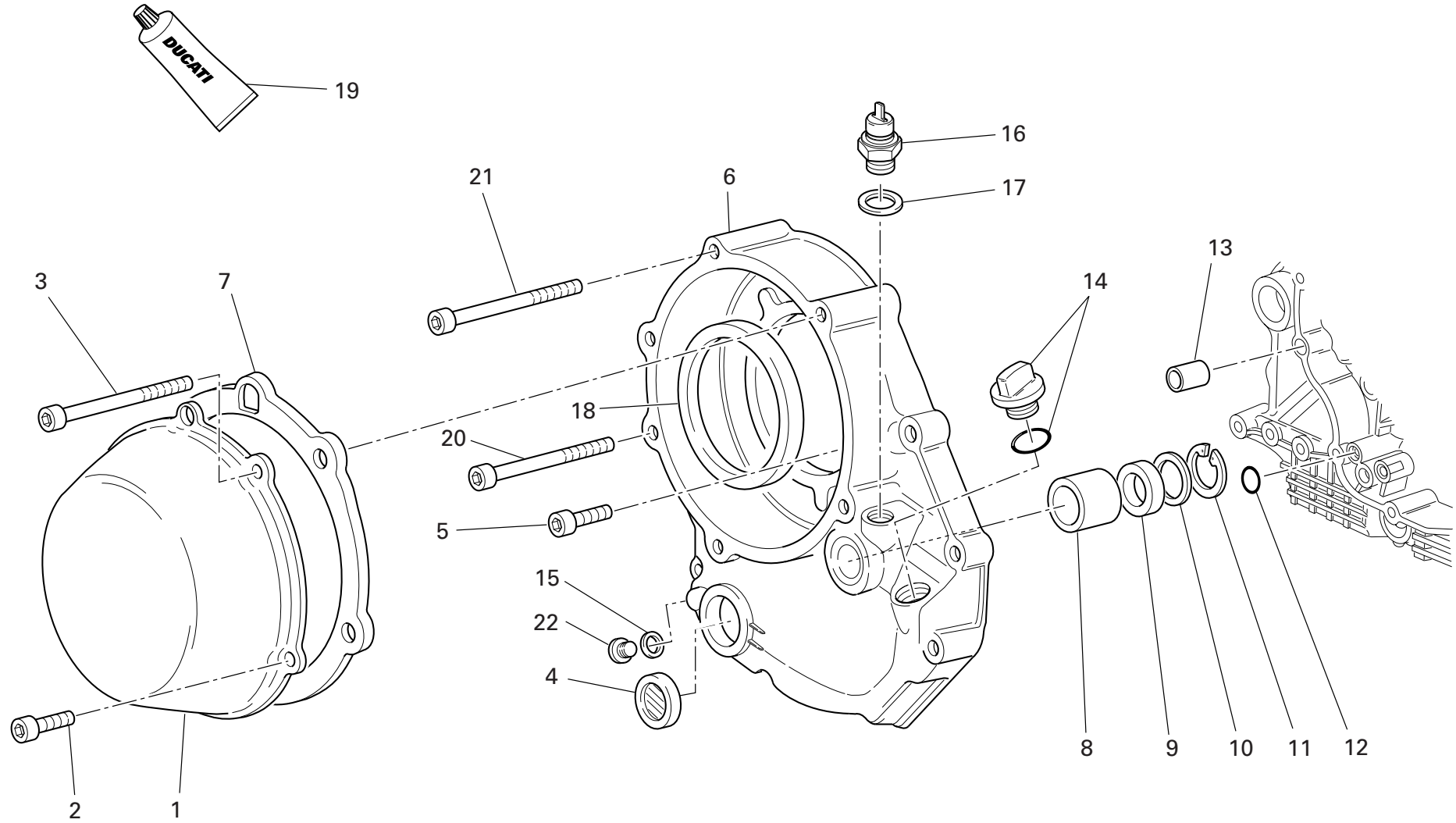
NOTES NO.	CODE NO.	DESCRIPTION	VALIDITY	Q.TY 
28	771.5.065.8B	Screw		3
29	117.2.006.1A	Clutch control rod		1
30	93823.2018	O-ring		2
31	713.1.012.1B	Spacer		1
32	93823.0128	O-ring		1

CATALOGUE No: 915.1.258.1B
ISSUED: 03 - 07


CATALOGUE No: 915.1.258.1B
ISSUED: 03 - 07

DRAWING 005

CLUTCH COVER



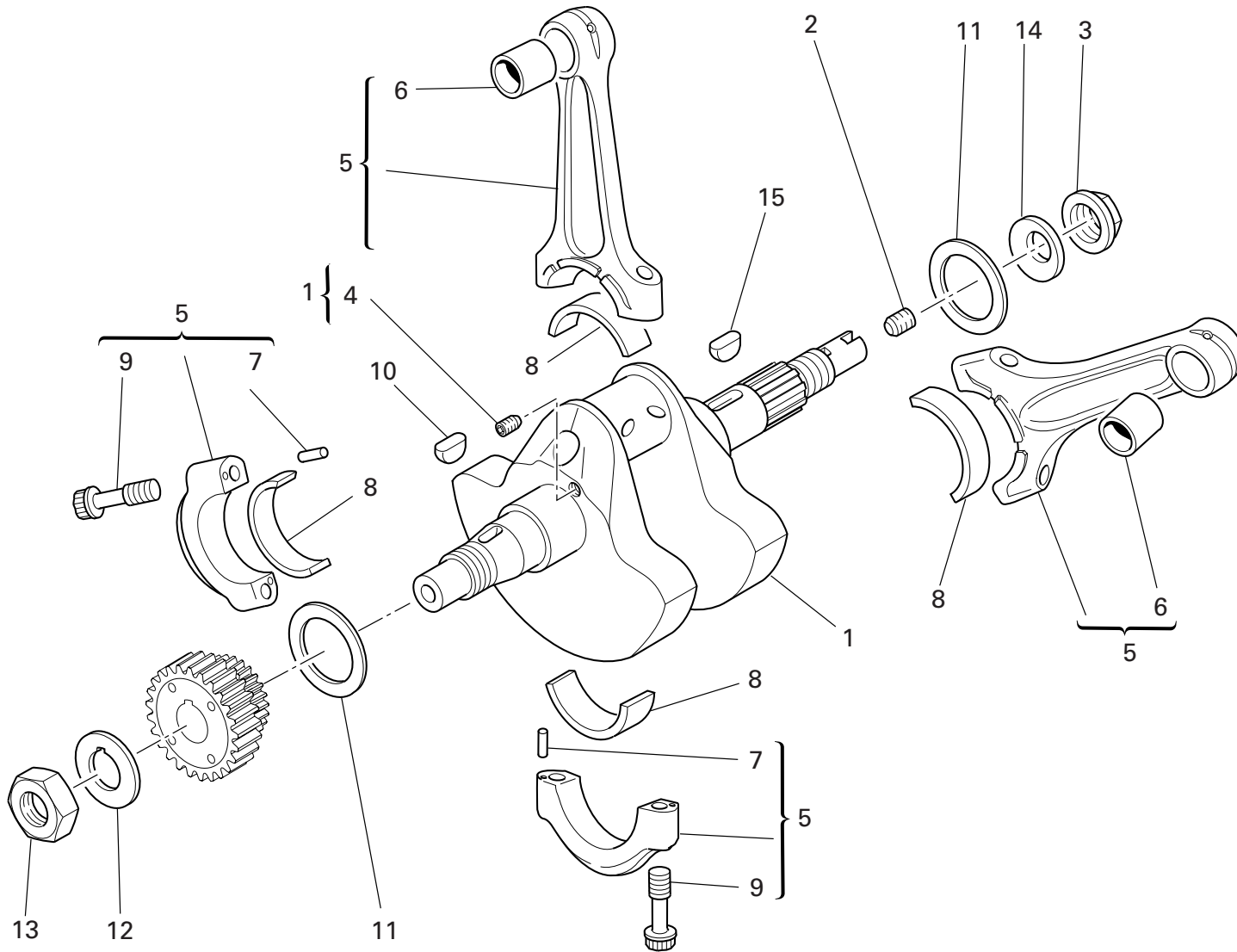
DRAWING 005 CLUTCH COVER

NOTES NO.	CODE NO.	DESCRIPTION	VALIDITY	Q.TY 
1	243.1.097.1AD	Cover		1
2	771.1.026.1A	Screw		2
3	771.1.027.1A	Screw		2
4	254.4.001.2A	Oil level sight glass		1
5	771.5.069.8B	Screw		5
6	243.2.115.1AC	Clutch protection cover (GOLD)		1
7	788.1.052.1A	Clutch cover gasket		1
8	0665.49.680	Bush		1
9	930.4.091.1A	Seal ring		1
10	852.1.008.1A	Shim th. 0.5		1
11	884.5.035.1A	Circlip		1
12	93827.0114	O-ring		1
13	711.1.160.1A	Locating bush		1
14	893.2.013.1A	Complete cap		1
15	852.5.024.1A	Gasket th.1		1
16	539.4.030.2A	Switch		1
17	852.1.195.1A	Gasket th.2		1
18	930.4.034.1A	Ring		1
19	94247.0014	Fluid sealant		1
20	771.5.078.8B	Screw		1
21	771.5.079.8B	Screw		1
22	780.5.001.1A	Cap		1


NOTES NO.	CODE NO.	DESCRIPTION	VALIDITY	Q.TY 
-----------	----------	-------------	----------	--


DRAWING 006

CRANKSHAFT



DRAWING 006 CRANKSHAFT

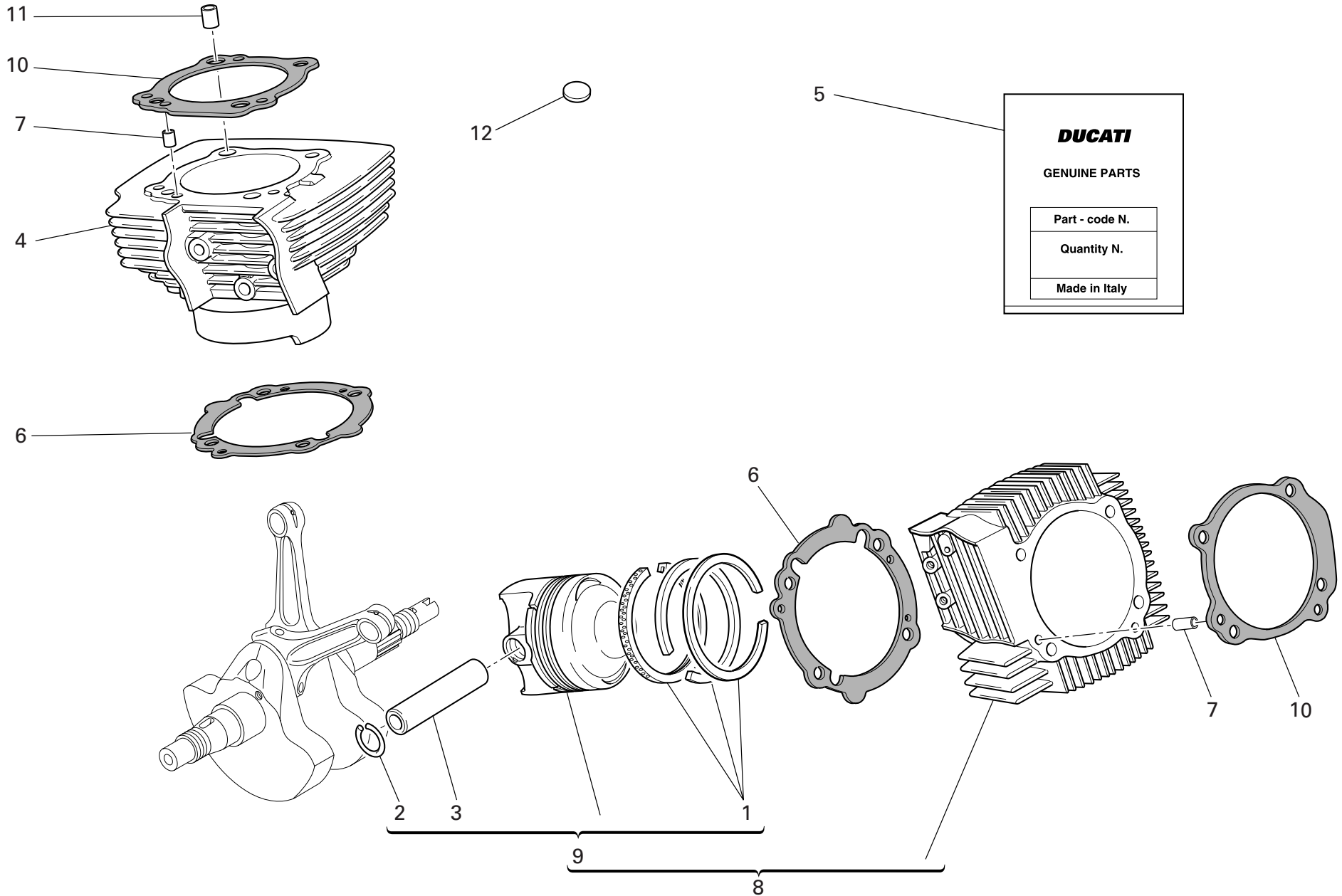
NOTES NO.	CODE NO.	DESCRIPTION	VALIDITY	Q.TY 
1	146.2.091.1A	Crankshaft		1
2	779.1.109.1A	Special screw		1
3	750.1.012.2A	Nut		1
4	72121.2106	Threaded dowel		1
5	158.2.012.1A	Connecting rods pair		1
6	711.1.007.1A	Bush		2
7	74224.0570	Pin		4
8	112.1.012.1AB	Half-bearing (BLUE)		2
8	112.1.012.1AC	Half-bearing (YELLOW)		2
9	779.1.007.2A	Special screw		4
10	74172.1008	Woodruff key		1
11	852.1.104.1A	Shim th. 1.9		2
11	852.1.104.1B	Shim th. 1.95		2
11	852.1.104.1H	Shim th. 2.25		2
11	852.1.104.1K	Shim th. 2,4		2
11	852.1.104.1L	Shim th. 2,45		2
11	852.1.104.1M	Shim th. 2.5		2
11	852.1.104.1N	Shim th. 2.55		2
11	852.1.104.2C	Shim th. 2		2
11	852.1.104.2D	Shim th. 2,05		2
11	852.1.104.2E	Shim th. 2,1		2
11	852.1.104.2F	Shim th. 2,15		2
11	852.1.104.2G	Shim th. 2.2		2
11	852.1.104.2I	Shim th. 2.3		2
11	852.1.104.2J	Shim th. 2.35		2
12	851.1.019.1A	Lock washer		1
13	0660.47.040	Nut		1

NOTES NO.	CODE NO.	DESCRIPTION	VALIDITY	Q.TY 
14	799.1.051.2A	Spring washer		1
15	0755.29.025	Woodruff key		1

CATALOGUE No: 915.1.258.1B
ISSUED: 03 - 07


CATALOGUE No: 915.1.258.1B
ISSUED: 03 - 07

DRAWING 007 CYLINDERS - PISTONS



DRAWING 007

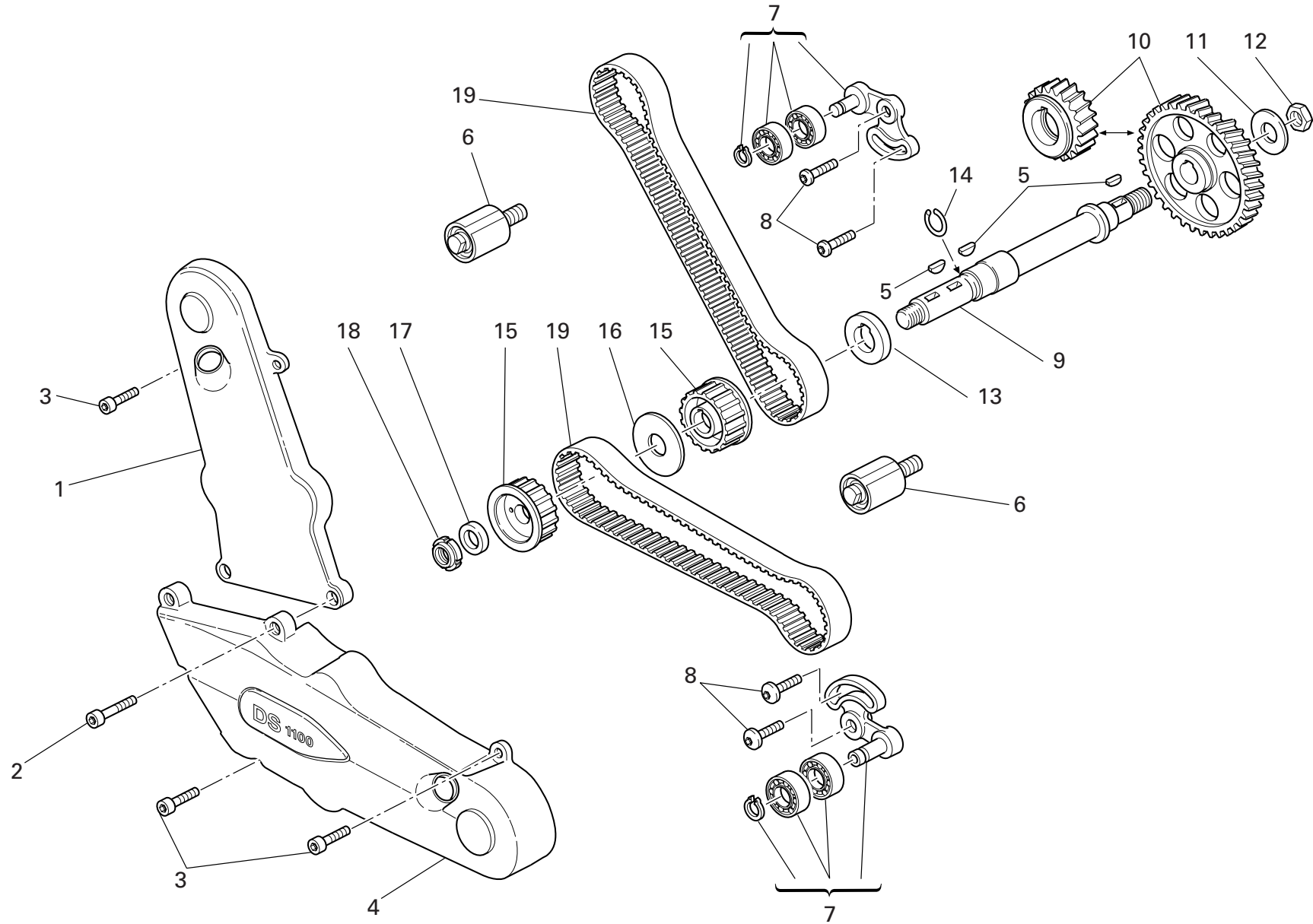
CYLINDERS - PISTONS

NOTES NO.	CODE NO.	DESCRIPTION	VALIDITY	Q.TY 
1	121.2.045.1A	Piston rings set		1
2	884.4.011.1A	Piston pin circlip		2
3	121.1.127.1A	Piston pin		1
4	120.2.146.1A	Vertical cylinder-piston fit		1
5	791.2.043.1A	Head-cylinder gaskets set		1
6	786.1.086.1A	Cylinder-crankcase gasket th. 0.4		2
7	711.1.172.1A	Bush		2
8	120.2.145.1A	Horizontal cylinder-piston fit		1
9	122.2.144.1A	Complete piston		2
10	786.1.098.1A	Head-cylinder gasket		2
11	711.1.126.1A	Bush		4
12	700.1.040.1A	Vibration damper pad		41

NOTES NO.	CODE NO.	DESCRIPTION	VALIDITY	Q.TY 
-----------	----------	-------------	----------	--


DRAWING 008

TIMING



DRAWING 008

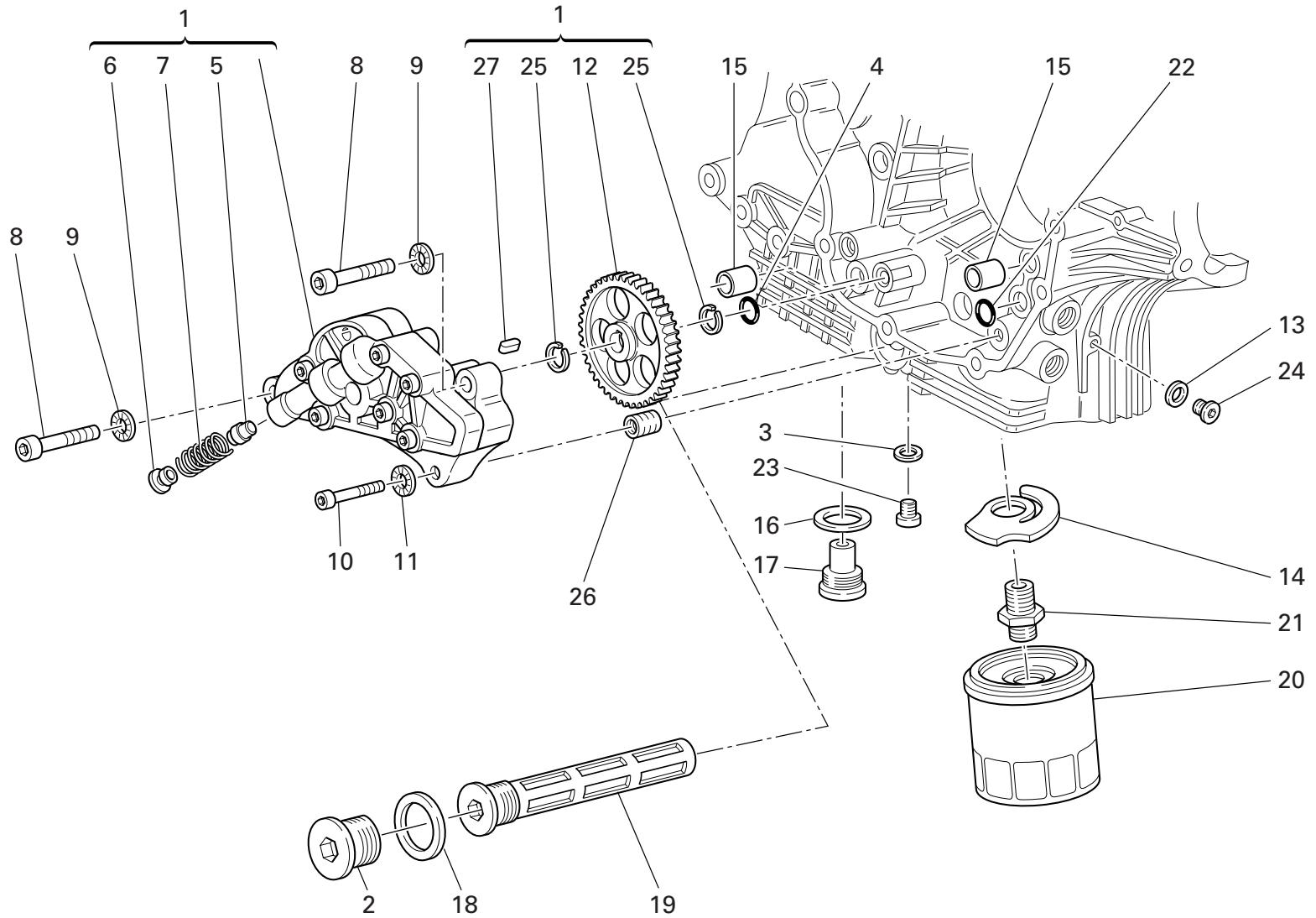
TIMING

NOTES NO.	CODE NO.	DESCRIPTION	VALIDITY	Q.TY 
1	245.1.058.2AB	Vertical timing belt cover (BLACK)		1
2	771.5.072.8B	Screw		2
3	771.5.065.8B	Screw		5
4	245.1.076.2A	Horizontal timing belt cover (BLACK)		1
5	0755.29.025	Woodruff key		3
6	451.2.021.1A	Fixed tensioner assembly		2
7	451.2.020.1A	Complete vertical cylinder tensioner roller		2
8	772.1.010.3A	Screw		4
9	147.1.026.1A	Lay shaft		1
10	171.2.075.1B	Timing gears pair		1
11	851.1.013.1A	Lock washer		1
12	0124.40.060	Hexagon nut		1
13	716.1.073.2A	Spacer		1
14	882.1.003.1A	Snap ring		1
15	255.1.023.2A	Timing belt roller		2
16	856.1.062.2A	Belt roller separating washer		1
17	716.1.099.1A	Spacer		1
18	703.5.006.2A	Elastic-stop ring nut		1
19	737.4.021.1A	Timing drive toothed belt		2

NOTES NO.	CODE NO.	DESCRIPTION	VALIDITY	Q.TY 
-----------	----------	-------------	----------	--


DRAWING 009

FILTERS AND OIL PUMP



DRAWING 009

FILTERS AND OIL PUMP

NOTES NO.	CODE NO.	DESCRIPTION	VALIDITY	Q.TY 
1	174.2.038.1A	Complete oil pump		1
2	873.1.037.1A	Cap		1
3	852.1.120.1A	Aluminium gasket		1
4	886.4.037.1A	O-ring		1
5	593.1.018.1A	Bypass valve		1
6	780.1.018.1A	Bypass cap		1
7	799.1.055.1A	Bypass spring		1
8	771.5.129.8B	Screw		2
9	852.1.174.1A	Washer		2
10	771.5.069.8B	Screw		1
11	852.1.172.1A	Washer		1
12	174.1.038.1A	Pump drive gear		1
13	852.1.195.1A	Gasket th.2		1
14	799.2.077.2A	Bypass spring		1
15	0759.49.280	Locating bush		2
16	220.3.208.3A	Gasket		1
17	780.2.047.1A	Oil drain plug with magnet		1
18	852.5.005.1A	Gasket th.1,5		1
19	894.2.009.1A	Oil filter		1
20	444.4.003.4A	Oil filter cartridge		1
21	815.1.028.1A	Nipple		1
22	93827.0114	O-ring		1
23	779.1.198.2A	Cap		1
24	779.1.162.2A	Cap		1
25	884.5.039.1A	Circlip		2
26	0670.49.310	Reduction bush		1
27	680.1.001.1B	Woodruff key		1

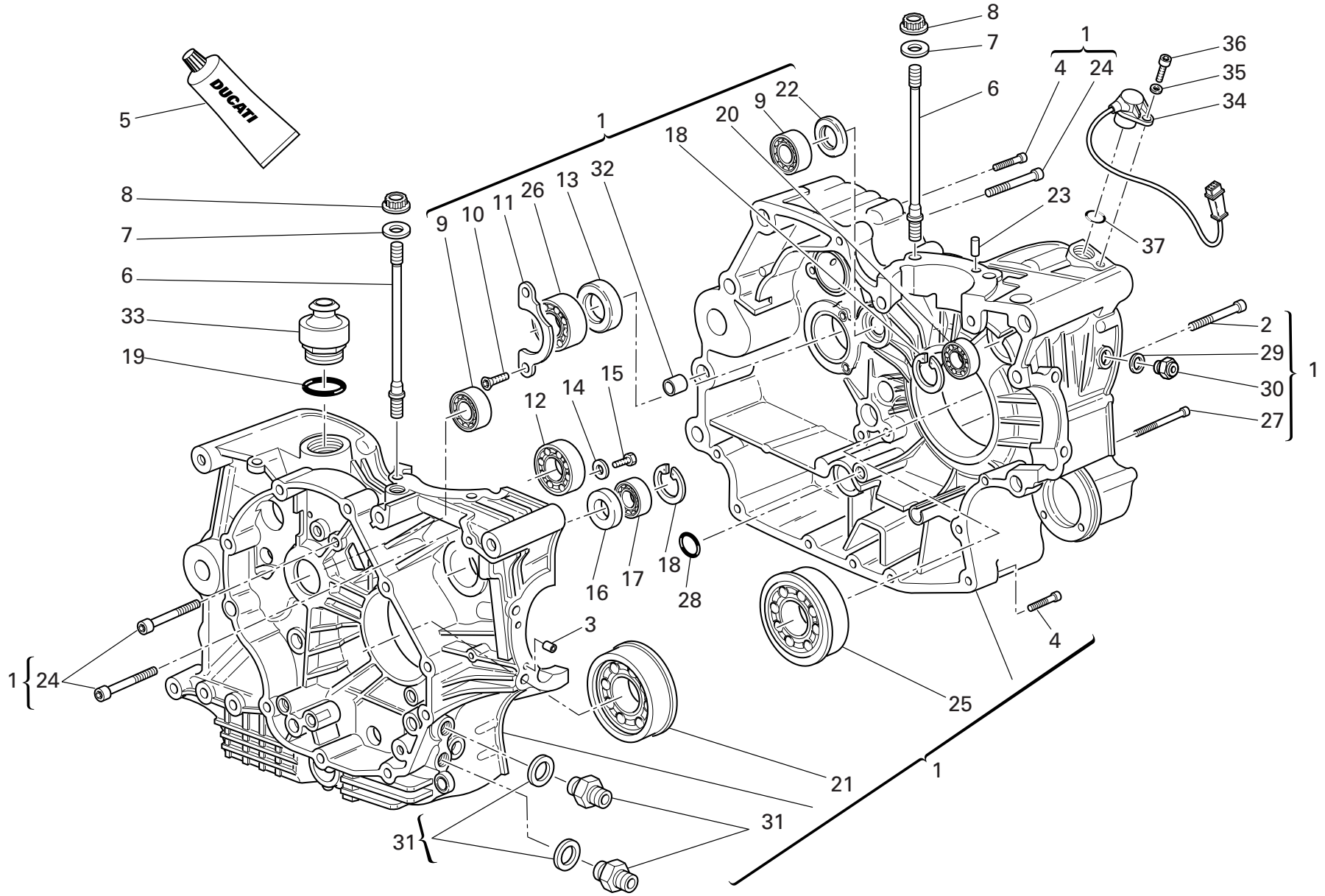
NOTES NO.	CODE NO.	DESCRIPTION	VALIDITY	Q.TY 
-----------	----------	-------------	----------	--

CATALOGUE No: 915.1.258.1B
ISSUED: 03 - 07

CATALOGUE No: 915.1.258.1B
ISSUED: 03 - 07

DRAWING 010


CRANKCASES



DRAWING 010 CRANKCASES

NOTES NO.	CODE NO.	DESCRIPTION	VALIDITY	Q.TY 
1	225.2.212.1A	Complete half-crankcases pair		1
2	779.1.029.2A	Special screw		1
3	711.1.128.1A	Bush		2
4	771.5.072.8B	Screw		7
5	94247.0014	Fluid sealant		1
6	766.1.059.1A	Stud bolt for fastening head cylinder		8
7	856.1.064.2A	Special washer		8
8	748.1.050.1A	Nut		8
9	702.4.033.1A	Bearing		2
10	72094.1616	Screw		2
11	826.1.012.1A	Keep plate		1
12	702.5.019.1A	Bearing		1
13	930.4.022.1A	Seal ring		1
14	713.1.140.1A	Spacer		2
15	770.5.250.8B	Screw		2
16	93785.1830	Seal ring		1
17	75794.1542	Bearing		1
18	73503.3380	Circlip		2
19	93823.3156	O-ring		1
20	702.5.008.1A	Bearing		1
21	702.4.093.1A	Bearing		1
22	0370.49.250	Washer		1
23	860.1.004.1A	Locating dowel		2
24	771.5.136.8B	Screw		6
25	702.4.092.1A	Bearing		1
26	702.4.013.1A	Bearing		1
27	771.5.080.8B	Screw		2

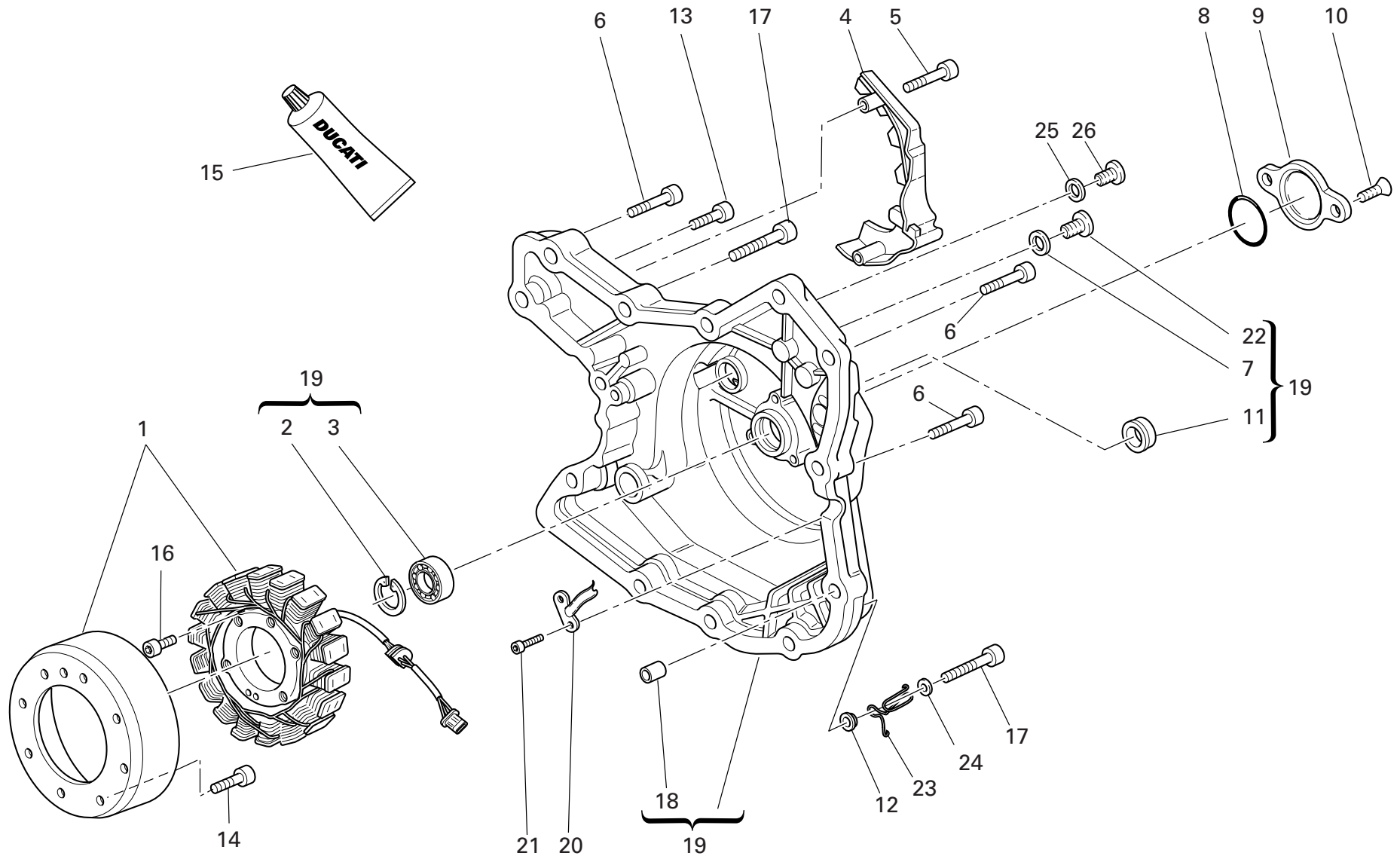
CATALOGUE No: 915.1.258.1B
ISSUED: 03 - 07

NOTES NO.	CODE NO.	DESCRIPTION	VALIDITY	Q.TY 
28	93827.0114	O-ring		1
29	852.5.026.1A	Aluminium gasket th.1,5		1
30	779.1.434.1A	Special screw		1
31	815.1.022.1A	Nipple		2
32	711.1.095.1A	Bush		2
33	593.1.003.1B	Breather valve		1
34	552.4.132.1A	Sensor		1
35	853.1.003.1A	Spring washer		1
36	771.5.066.8B	Screw		1
37	886.4.033.1A	O-ring		1

CATALOGUE No: 915.1.258.1B
ISSUED: 03 - 07

DRAWING 011

ALTERNATOR COVER



DRAWING **011** ALTERNATOR COVER

NOTES NO.	CODE NO.	DESCRIPTION	VALIDITY	Q.TY 
1	264.4.014.3B	Generator "DENSO"		1
2	73503.3380	Circlip		1
3	702.5.008.1A	Bearing		1
4	247.1.203.1A	Chain cover (BLACK)		1
5	771.5.665.8B	Screw		2
6	771.5.069.8B	Screw		10
7	852.1.120.1A	Aluminium gasket		1
8	886.4.035.1A	O-ring		1
9	247.1.210.1AC	Cover		1
10	777.5.049.8B	Screw		2
11	93783.1524	Seal ring		1
12	713.1.365.1A	Spacer		1
13	771.5.067.8B	Screw		2
14	779.4.075.1A	Screw		8
15	94247.0014	Fluid sealant		1
16	771.5.073.8B	Screw		3
17	771.5.071.8B	Screw		2
18	711.1.160.1A	Locating bush		2
19	242.2.077.1AC	Generator cover (GOLD)		1
20	830.1.284.1A	Bracket		1
21	771.5.040.8B	Screw		2
22	779.1.198.2A	Cap		1
23	881.1.051.1A	Holder		1
24	852.1.176.1A	Washer		1
25	852.5.026.1A	Aluminium gasket th.1,5		1
26	779.1.026.2A	Screw		1

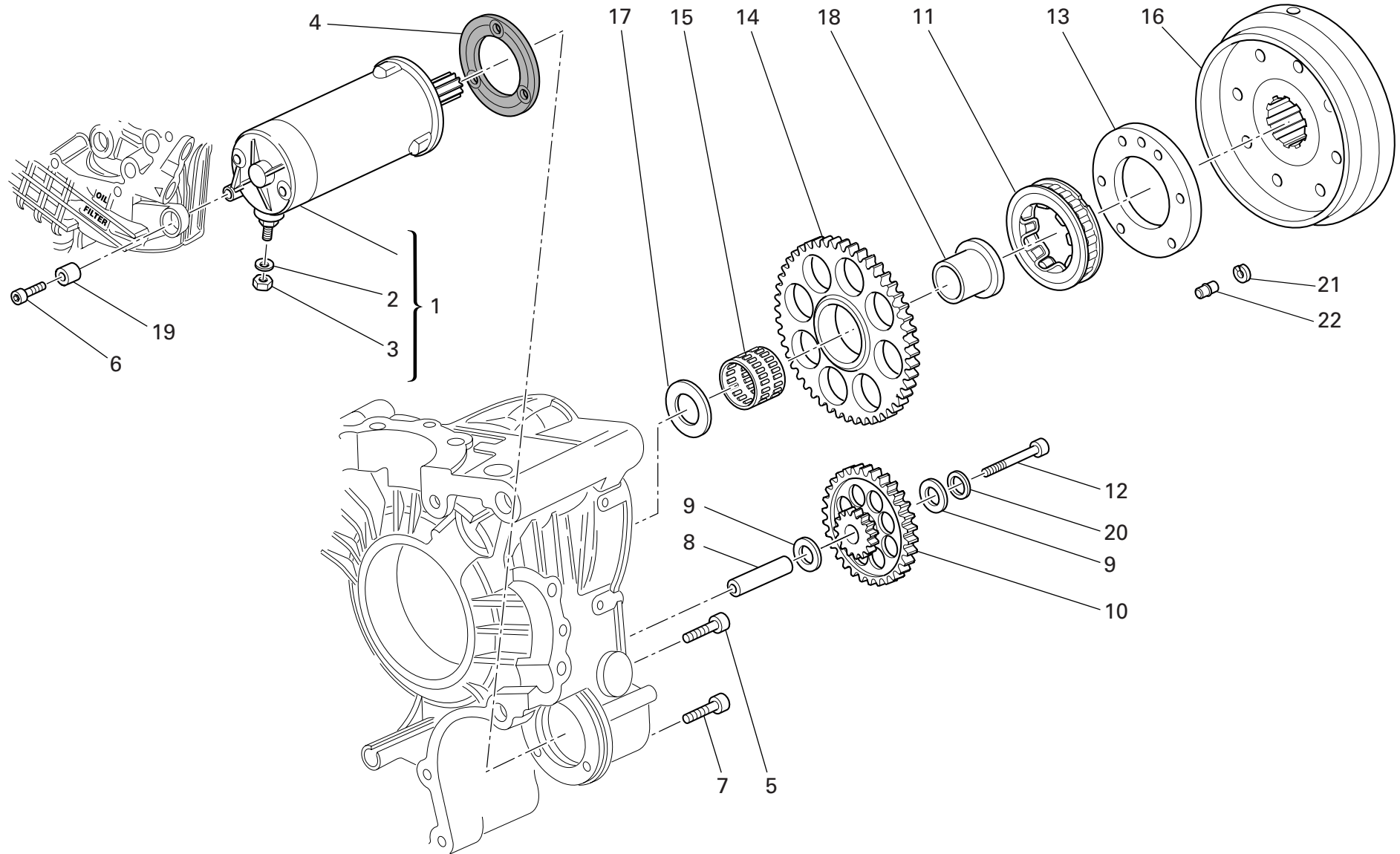
NOTES NO.	CODE NO.	DESCRIPTION	VALIDITY	Q.TY 
-----------	----------	-------------	----------	--

CATALOGUE No: 915.1.258.1B
ISSUED: 03 - 07

CATALOGUE No: 915.1.258.1B
ISSUED: 03 - 07


DRAWING 012

ELECTRIC STARTER AND IGNITION



DRAWING 012


ELECTRIC STARTER AND IGNITION

NOTES NO.	CODE NO.	DESCRIPTION	VALIDITY	Q.TY 
1	270.4.010.1A	Complete starter motor		1
2	853.1.003.1A	Spring washer		1
3	750.1.121.1A	Nut		1
4	788.1.054.2A	Starter motor gasket		1
5	771.5.066.8B	Screw		2
6	771.5.071.8B	Screw		1
7	771.5.069.8B	Screw		1
8	821.1.279.1A	Intermediate gear pin		1
9	856.1.071.1A	Washer		2
10	176.1.020.1A	Intermediate gear assembly		1
11	701.4.008.1A	Starter clutch		1
12	771.1.027.1A	Screw		1
13	160.1.097.1A	Flange		1
14	173.1.022.1A	Electric starter driven gear		1
15	702.4.018.1A	Needle bearing		1
16	276.1.025.1C	Ignition flywheel		1
17	856.1.075.1A	Shim		1
18	881.1.034.1A	Inner ring		1
19	700.1.036.1A	Flexible bush		1
20	856.1.121.1A	Washer		1
21	882.1.012.1A	Check ring		1
22	863.1.002.1A	Locating pin		1

NOTES NO.	CODE NO.	DESCRIPTION	VALIDITY	Q.TY 
-----------	----------	-------------	----------	--

DRAWING 013

HEAD : TIMING

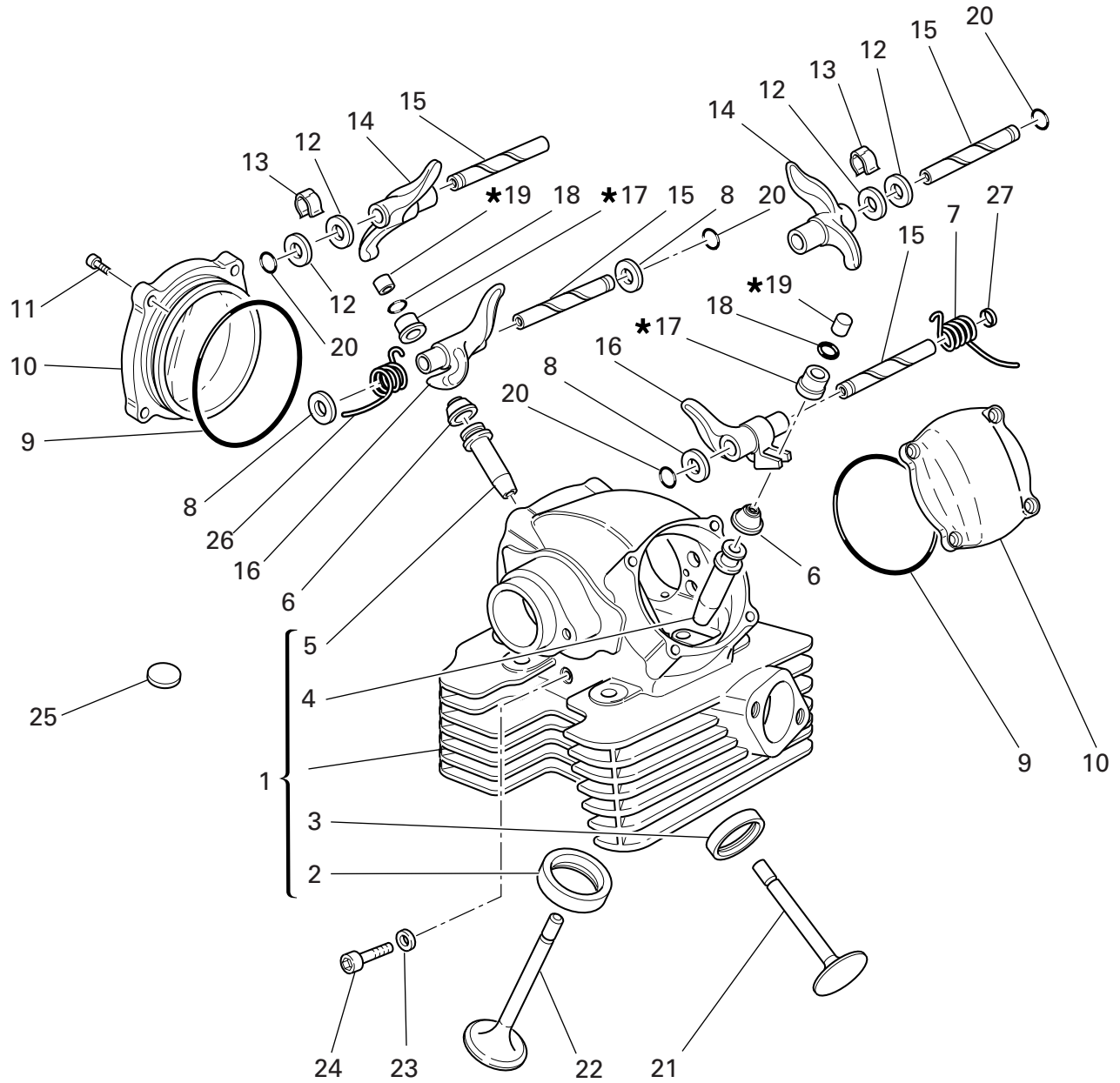
NOTES NO.	CODE NO.	DESCRIPTION	VALIDITY	Q.TY 
1	703.5.006.2A	Elastic-stop ring nut		2
2	852.1.173.1A	Washer		2
3	255.1.024.2A	Timing belt roller		2
4	779.5.030.2A	Screw		6
5	245.1.030.1A	Vertical belt inner cover		1
6	245.1.031.1A	Horizontal belt inner cover		1
7	930.4.061.1A	Seal ring		2
8	74172.1008	Woodruff key		2
9	148.1.285.2A	Vertical head camshaft		1
10	771.5.066.8B	Screw		7
11	886.4.060.1A	O-ring		2
12	235.2.037.1AD	Side cap		2
13	852.1.197.1A	Copper gasket		2
14	775.1.036.1A	Screw		2
15	773.5.065.8B	Screw		2
16	148.1.284.2A	Horizontal head camshaft		1
17	766.4.017.2A	Stud bolt		4
18	766.4.018.1A	Stud bolt		4
19	160.1.105.1A	Flange		2
20	856.1.074.2A	Special washer		2

NOTES NO.	CODE NO.	DESCRIPTION	VALIDITY	Q.TY 
-----------	----------	-------------	----------	--


DRAWING 014

VERTICAL HEAD


19	17
Registro bilanc. apertura Adjustment Réglage Ventilkäppchen	Registro bilanc. chiusura Adjustment Réglage Ventilkäppchen
840.1.031.1A - 1,8	840.1.041.1B - 2,20
840.1.032.1A - 1,85	840.1.042.1B - 2,25
840.1.033.1A - 1,9	840.1.043.1B - 2,30
840.1.034.1A - 1,95	840.1.044.1B - 2,35
840.1.001.1A - 2,0	840.1.045.1B - 2,40
840.1.002.1A - 2,05	840.1.046.1B - 2,45
840.1.003.1A - 2,1	840.1.047.1B - 2,5
840.1.004.1A - 2,15	840.1.048.1B - 2,55
840.1.005.1A - 2,2	840.1.049.1B - 2,6
840.1.006.1A - 2,25	840.1.050.1B - 2,65
840.1.007.1A - 2,3	840.1.051.1B - 2,7
840.1.008.1A - 2,35	840.1.052.1B - 2,75
840.1.009.1A - 2,4	840.1.053.1B - 2,8
840.1.010.1A - 2,45	840.1.054.1B - 2,85
840.1.011.1A - 2,5	840.1.055.1B - 2,9
840.1.012.1A - 2,55	840.1.056.1B - 2,95
840.1.013.1A - 2,6	840.1.057.1B - 3,0
840.1.014.1A - 2,65	840.1.058.1B - 3,05
840.1.015.1A - 2,7	840.1.059.1B - 3,1
840.1.016.1A - 2,75	
840.1.017.1A - 2,8	
840.1.018.1A - 2,85	
840.1.019.1A - 2,9	
840.1.020.1A - 2,95	
840.1.021.1A - 3,0	
840.1.022.1A - 3,05	
840.1.023.1A - 3,1	
840.1.024.1A - 3,15	
840.1.025.1A - 3,2	
840.1.026.1A - 3,25	
840.1.027.1A - 3,3	
840.1.028.1A - 3,35	
840.1.029.1A - 3,4	
840.1.030.1A - 3,45	



DRAWING 014 VERTICAL HEAD

NOTES NO.	CODE NO.	DESCRIPTION	VALIDITY	Q.TY 
1	301.2.233.1A	Complete vertical head		1
2	304.1.042.1B	Intake valve seat		1
2	304.1.042.1BB	Oversize intake valve seat 0.03		1
2	304.1.042.1BC	Oversize intake valve seat 0.06		1
3	304.1.043.1B	Exhaust valve seat		1
3	304.1.043.1BB	Oversize exhaust valve seat 0.03		1
3	304.1.043.1BC	Oversize exhaust valve seat 0.06		1
4	303.1.041.1C	Intake valve guide		1
4	303.1.041.1CA	Intake valve guide magg. 0,03		1
4	303.1.041.1CB	Intake valve guide magg. 0,06		1
4	303.1.041.1CC	Intake valve guide magg. 0,09		1
5	303.1.040.1B	Exhaust valve guide		1
5	303.1.040.1BA	Exhaust valve guide magg. 0,03		1
5	303.1.040.1BB	Exhaust valve guide magg. 0,06		1
5	303.1.040.1BC	Exhaust valve guide magg. 0,09		1
6	764.1.002.1A	Rubber pad		2
7	799.1.061.1A	Closing rocker spring		1
8	0619.92.180	Shim th. 0.3		6
8	0670.92.190	Shim th. 2		4
8	0765.92.185	Shim th. 1		2
8	0765.92.190	Shim th. 0.5		4
8	0765.92.205	Shim th. 0.2		8
8	852.1.214.1A	Shim th. 1.8		1
9	463.2.010.9A	O-ring		2
10	240.2.039.2A	Valve cover		2
11	771.5.066.8B	Screw		8
12	0647.70.010	Shim		4

CATALOGUE No: 915.1.258.1B
ISSUED: 03 - 07

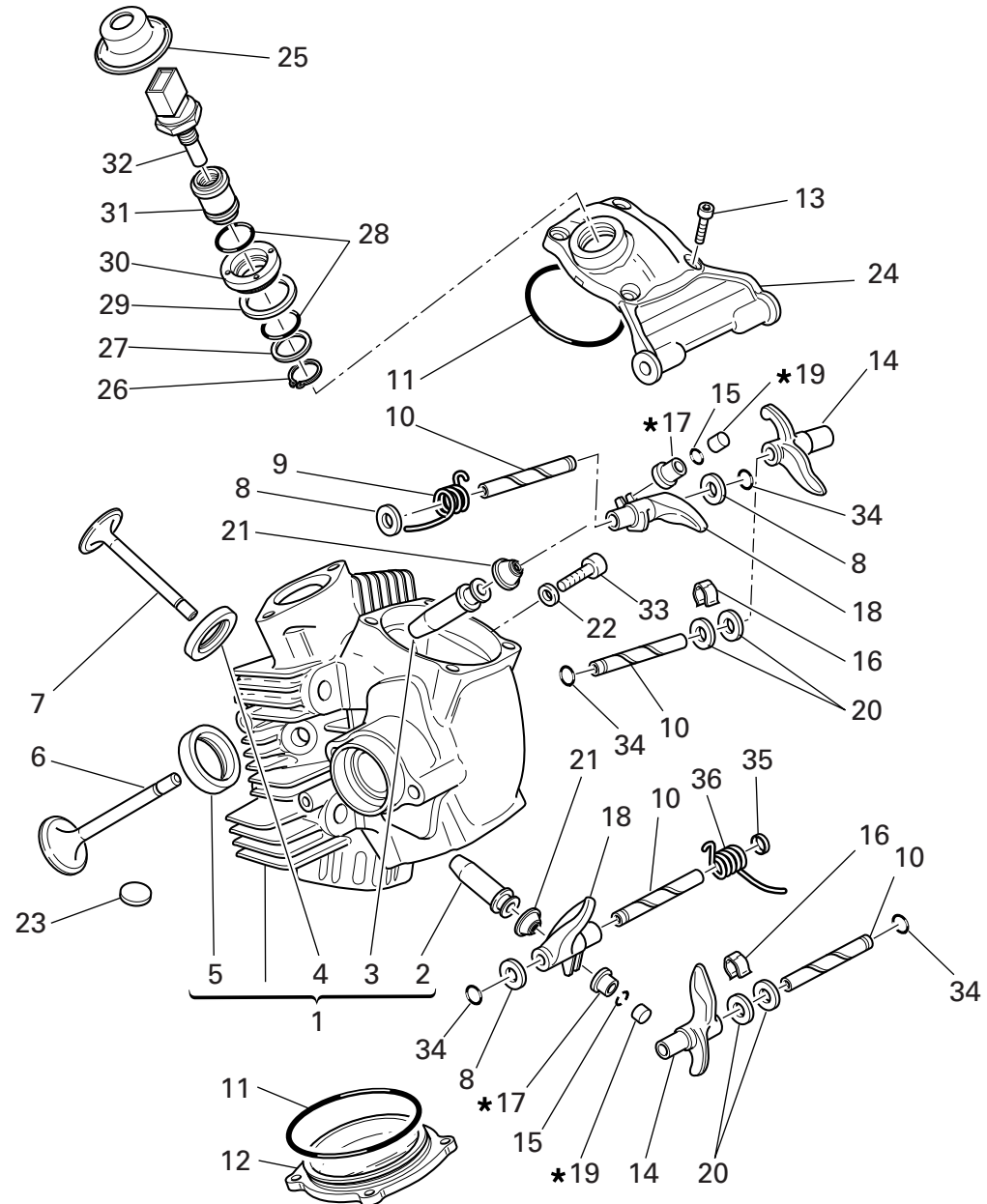
NOTES NO.	CODE NO.	DESCRIPTION	VALIDITY	Q.TY 
13	0375.92.210	Spring		2
14	208.1.012.4A	Opening rocker		2
15	821.1.111.2A	Rocker shaft		4
16	209.1.041.1A	Closing rocker		2
17	840.2.002.1B	See table		2
18	669.1.001.1E	Split rings		4
19	840.2.001.1A	See table		2
20	463.2.026.1A	O-ring		4
21	211.1.040.1A	Exhaust valve		1
22	210.1.042.1A	Intake valve		1
23	852.5.023.1A	Gasket		1
24	779.1.133.1A	Screw		1
25	700.1.040.1A	Vibration damper pad		12
26	799.1.247.2A	Closing rocker spring		1
27	713.1.352.1A	Spacer		1

CATALOGUE No: 915.1.258.1B
ISSUED: 03 - 07

DRAWING 015


HORIZONTAL HEAD

19		17	
Registro bilanc. apertura		Registro bilanc. chiusura	
Adjustment		Adjustment	
Réglage		Réglage	
Ventilkäppchen		Ventilkäppchen	
840.1.031.1A -	1,8	840.1.041.1B -	2,20
840.1.032.1A -	1,85	840.1.042.1B -	2,25
840.1.033.1A -	1,9	840.1.043.1B -	2,30
840.1.034.1A -	1,95	840.1.044.1B -	2,35
840.1.001.1A -	2,0	840.1.045.1B -	2,40
840.1.002.1A -	2,05	840.1.046.1B -	2,45
840.1.003.1A -	2,1	840.1.047.1B -	2,5
840.1.004.1A -	2,15	840.1.048.1B -	2,55
840.1.005.1A -	2,2	840.1.049.1B -	2,6
840.1.006.1A -	2,25	840.1.050.1B -	2,65
840.1.007.1A -	2,3	840.1.051.1B -	2,7
840.1.008.1A -	2,35	840.1.052.1B -	2,75
840.1.009.1A -	2,4	840.1.053.1B -	2,8
840.1.010.1A -	2,45	840.1.054.1B -	2,85
840.1.011.1A -	2,5	840.1.055.1B -	2,9
840.1.012.1A -	2,55	840.1.056.1B -	2,95
840.1.013.1A -	2,6	840.1.057.1B -	3,0
840.1.014.1A -	2,65	840.1.058.1B -	3,05
840.1.015.1A -	2,7	840.1.059.1B -	3,1
840.1.016.1A -	2,75		
840.1.017.1A -	2,8		
840.1.018.1A -	2,85		
840.1.019.1A -	2,9		
840.1.020.1A -	2,95		
840.1.021.1A -	3,0		
840.1.022.1A -	3,05		
840.1.023.1A -	3,1		
840.1.024.1A -	3,15		
840.1.025.1A -	3,2		
840.1.026.1A -	3,25		
840.1.027.1A -	3,3		
840.1.028.1A -	3,35		
840.1.029.1A -	3,4		
840.1.030.1A -	3,45		



DRAWING 015

HORIZONTAL HEAD

NOTES NO.	CODE NO.	DESCRIPTION	VALIDITY	Q.TY 
1	301.2.232.1A	Complete horizontal head		1
2	303.1.040.1B	Exhaust valve guide		1
2	303.1.040.1BA	Exhaust valve guide magg. 0,03		1
2	303.1.040.1BB	Exhaust valve guide magg. 0,06		1
2	303.1.040.1BC	Exhaust valve guide magg. 0,09		1
3	303.1.041.1C	Intake valve guide		1
3	303.1.041.1CA	Intake valve guide magg. 0,03		1
3	303.1.041.1CB	Intake valve guide magg. 0,06		1
3	303.1.041.1CC	Intake valve guide magg. 0,09		1
4	304.1.042.1B	Intake valve seat		1
4	304.1.042.1BB	Oversize intake valve seat 0.03		1
4	304.1.042.1BC	Oversize intake valve seat 0.06		1
5	304.1.043.1B	Exhaust valve seat		1
5	304.1.043.1BB	Oversize exhaust valve seat 0.03		1
5	304.1.043.1BC	Oversize exhaust valve seat 0.06		1
6	210.1.042.1A	Intake valve		1
7	211.1.040.1A	Exhaust valve		1
8	0619.92.180	Shim th. 0.3		6
8	0670.92.190	Shim th. 2		4
8	0765.92.185	Shim th. 1		2
8	0765.92.190	Shim th. 0.5		4
8	0765.92.205	Shim th. 0.2		8
8	852.1.214.1A	Shim th. 1.8		1
9	799.1.061.1A	Closing rocker spring		1
10	821.1.111.2A	Rocker shaft		4
11	463.2.010.9A	O-ring		2
12	240.2.039.2A	Valve cover		1

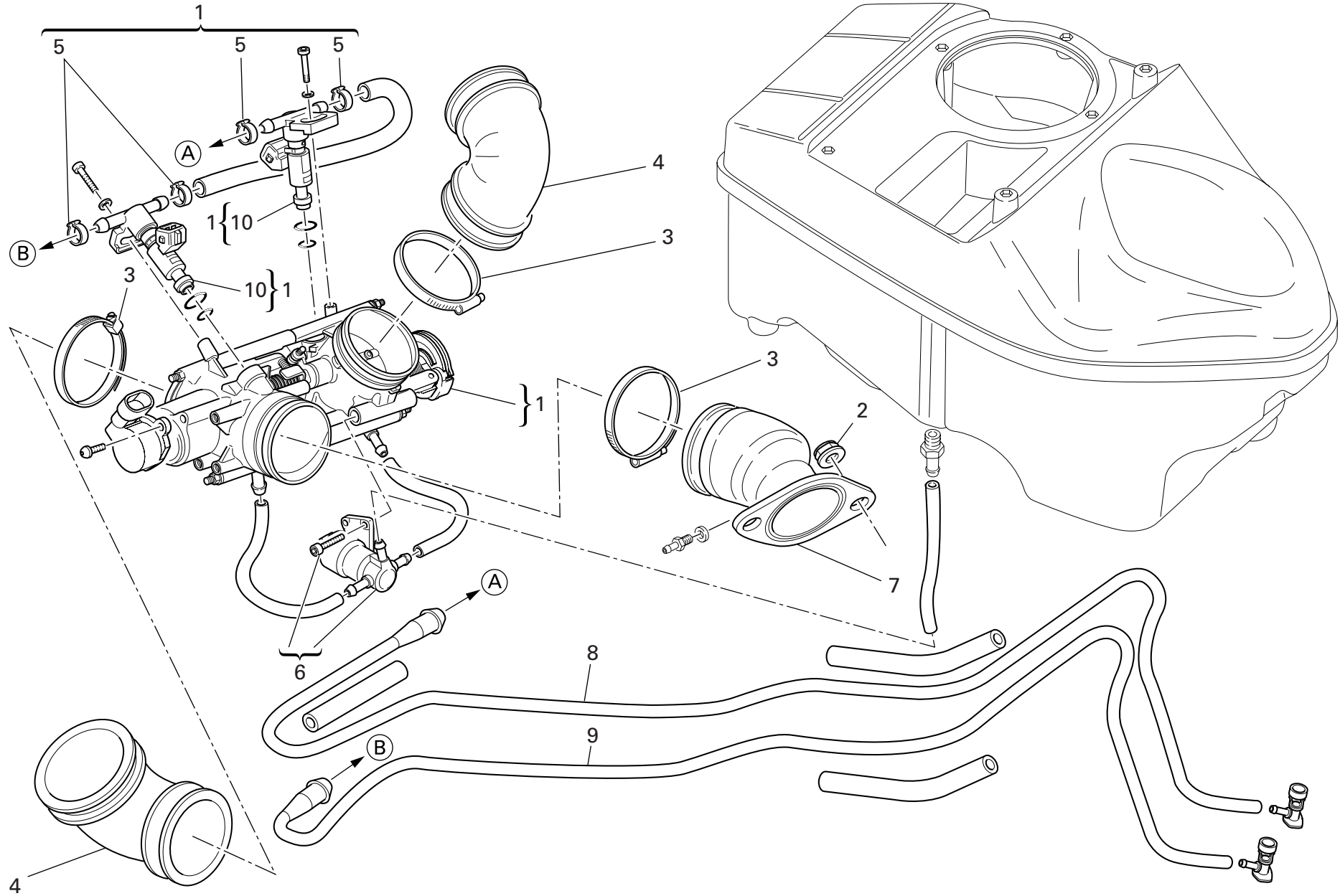
CATALOGUE No: 915.1.258.1B
ISSUED: 03 - 07

NOTES NO.	CODE NO.	DESCRIPTION	VALIDITY	Q.TY 
13	771.5.066.8B	Screw		8
14	208.1.012.4A	Opening rocker		2
15	669.1.001.1E	Split rings		4
16	0375.92.210	Spring		2
17	840.2.002.1B	See table		2
18	209.1.041.1A	Closing rocker		2
19	840.2.001.1A	See table		2
20	0647.70.010	Shim		4
21	764.1.002.1A	Rubber pad		2
22	852.5.023.1A	Gasket		1
23	700.1.040.1A	Vibration damper pad		27
24	240.2.031.1AB	Intake valve cover		1
25	672.1.034.1A	Rubber cap		1
26	73500.1747	Snap ring		1
27	713.1.137.1A	Spacer		1
28	886.4.028.1A	O-Ring		2
29	787.1.008.1A	Aluminium gasket		1
30	703.1.019.1A	Ring nut		1
31	829.1.235.1A	Holder sensor		1
32	552.4.013.1A	Sensor		1
33	779.1.133.1A	Screw		1
34	463.2.026.1A	O-ring		4
35	713.1.352.1A	Spacer		1
36	799.1.247.2A	Closing rocker spring		1

CATALOGUE No: 915.1.258.1B
ISSUED: 03 - 07


DRAWING 016

INTAKE MANIFOLDS



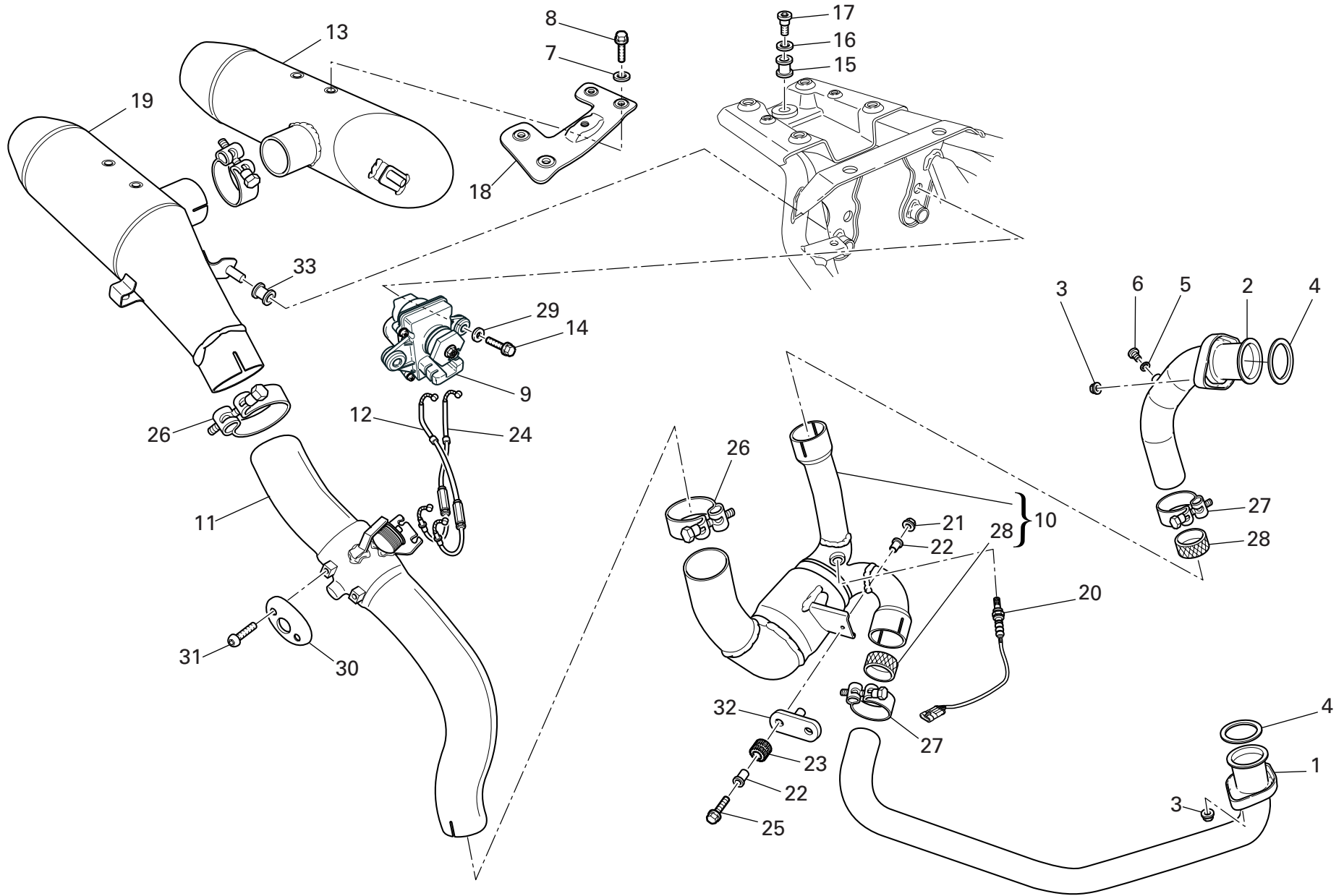
DRAWING 016

INTAKE MANIFOLDS

NOTES NO.	CODE NO.	DESCRIPTION	VALIDITY	Q.TY 
1	282.4.082.1A	Feed unit assembly		1
2	748.1.039.1A	Nut		4
3	741.4.042.1A	Hose guide		4
4	801.1.027.1A	Hose		2
5	287.4.024.1B	Hose guide		4
6	283.4.011.1A	Stepper motor		1
7	137.2.003.4B	Intake duct		2
8	590.1.301.1A	Fuel pipe (Delivery)		1
9	590.1.302.1A	Fuel pipe (Return)		1
10	280.4.015.1A	Injector		2


NOTES NO.	CODE NO.	DESCRIPTION	VALIDITY	Q.TY 
-----------	----------	-------------	----------	--

DRAWING 017 EXHAUST SYSTEM



DRAWING 017 EXHAUST SYSTEM

NOTES NO.	CODE NO.	DESCRIPTION	VALIDITY	Q.TY 
1	570.1.258.1A	Horizontal head exhaust pipe		1
2	571.1.258.1A	Vertical head exhaust pipe		1
3	748.4.033.1A	Nut		4
4	0370.84.005	Exhaust gasket		2
5	852.5.024.1A	Gasket th.1		2
6	780.1.007.1A	Cap		2
7	852.5.004.1C	Washer		4
8	772.1.090.1A	Screw		4
9	593.4.030.1A	Exhaust valve engine		1
10	572.2.145.1A	Compensator		1
11	570.2.265.1A	Balancer/silencer exhaust pipe		1
12	732.1.023.1A	Cable		1
13	574.1.105.1A	Silencer (L.H.)		1
14	772.5.038.1A	Screw		2
15	764.1.042.1A	Vibration damper pad		1
16	852.1.163.1A	Washer		1
17	779.1.260.1A	Special screw		1
18	576.1.060.1A	Bracket		1
19	573.1.105.1A	Silencer (R.H.)		1
20	552.1.111.1A	Lambda sensor		1
21	748.1.036.1A	Nut		1
22	713.1.082.1A	Spacer		2
23	764.1.024.1A	Vibration damper pad		1
24	732.1.022.1A	Cable		1
25	772.5.033.1A	Screw		1
26	741.4.164.1A	Spring clamp		2
27	741.4.146.1A	Spring clamp		2

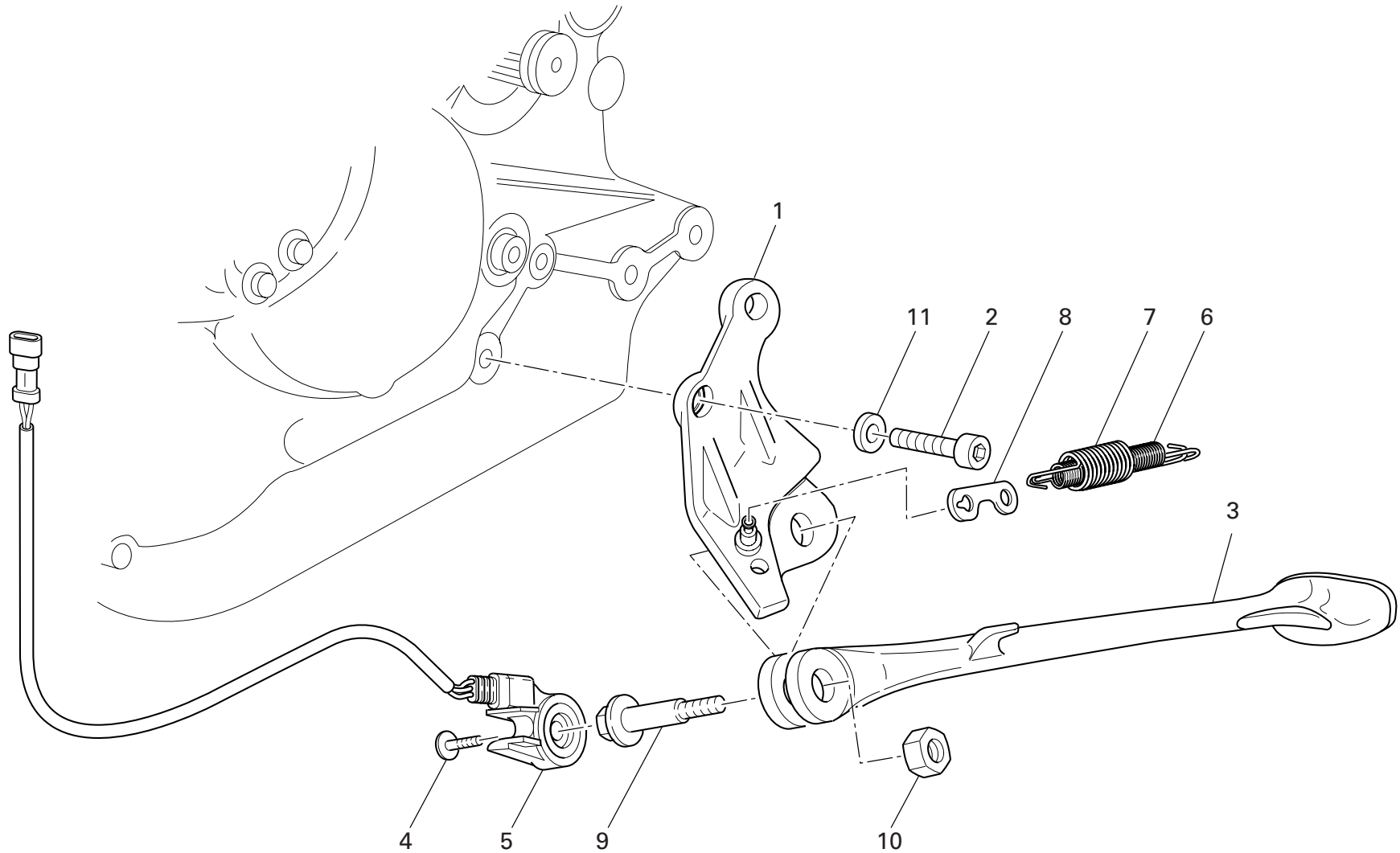
NOTES NO.	CODE NO.	DESCRIPTION	VALIDITY	Q.TY 
28	790.1.017.1A	Gasket		2
29	852.1.160.1B	Washer		2
30	460.1.275.1A	Protection		1
31	775.5.016.1A	Screw		2
32	830.1.450.1A	Bracket		1
33	764.1.068.1A	Rubber pad		2

CATALOGUE No: 915.1.258.1B
ISSUED: 03 - 07

CATALOGUE No: 915.1.258.1B
ISSUED: 03 - 07


DRAWING 018

STANDS



DRAWING 018

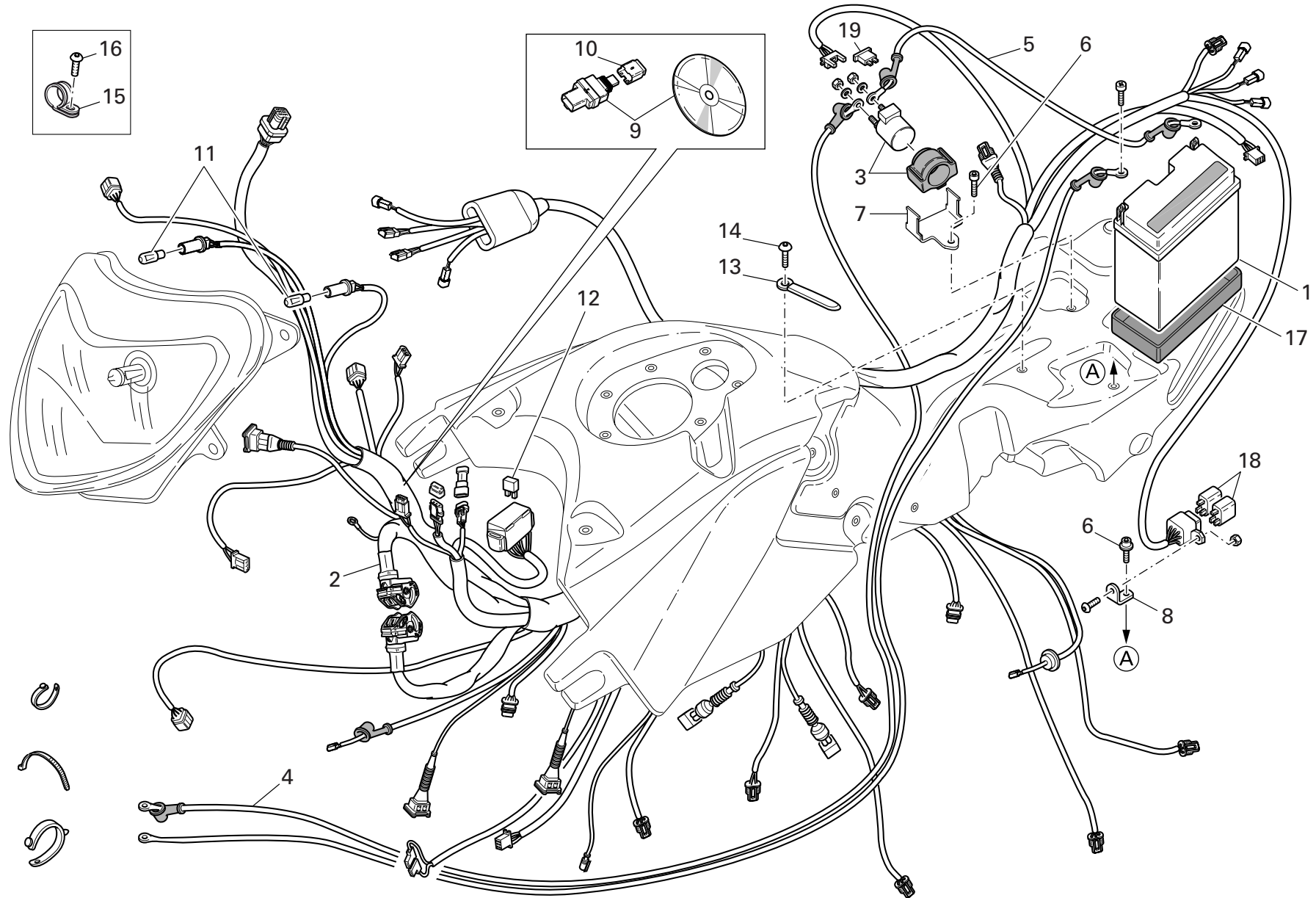
STANDS

NOTES NO.	CODE NO.	DESCRIPTION	VALIDITY	Q.TY 
1	556.2.037.1B	Plate		1
2	771.5.154.8B	Screw		1
3	556.1.036.1A	Side stand (BLACK)		1
4	779.4.005.2A	Screw		1
5	539.1.023.2A	Switch		1
6	799.1.089.1B	Inner spring		1
7	799.1.088.1B	Outer spring		1
8	827.1.139.2B	Plate		1
9	556.1.018.1D	Pivot		1
10	749.4.045.2A	Nut		1
11	852.1.214.1A	Shim th. 1.8		1


NOTES NO.	CODE NO.	DESCRIPTION	VALIDITY	Q.TY 
-----------	----------	-------------	----------	--

DRAWING 019

ELECTRIC SYSTEM



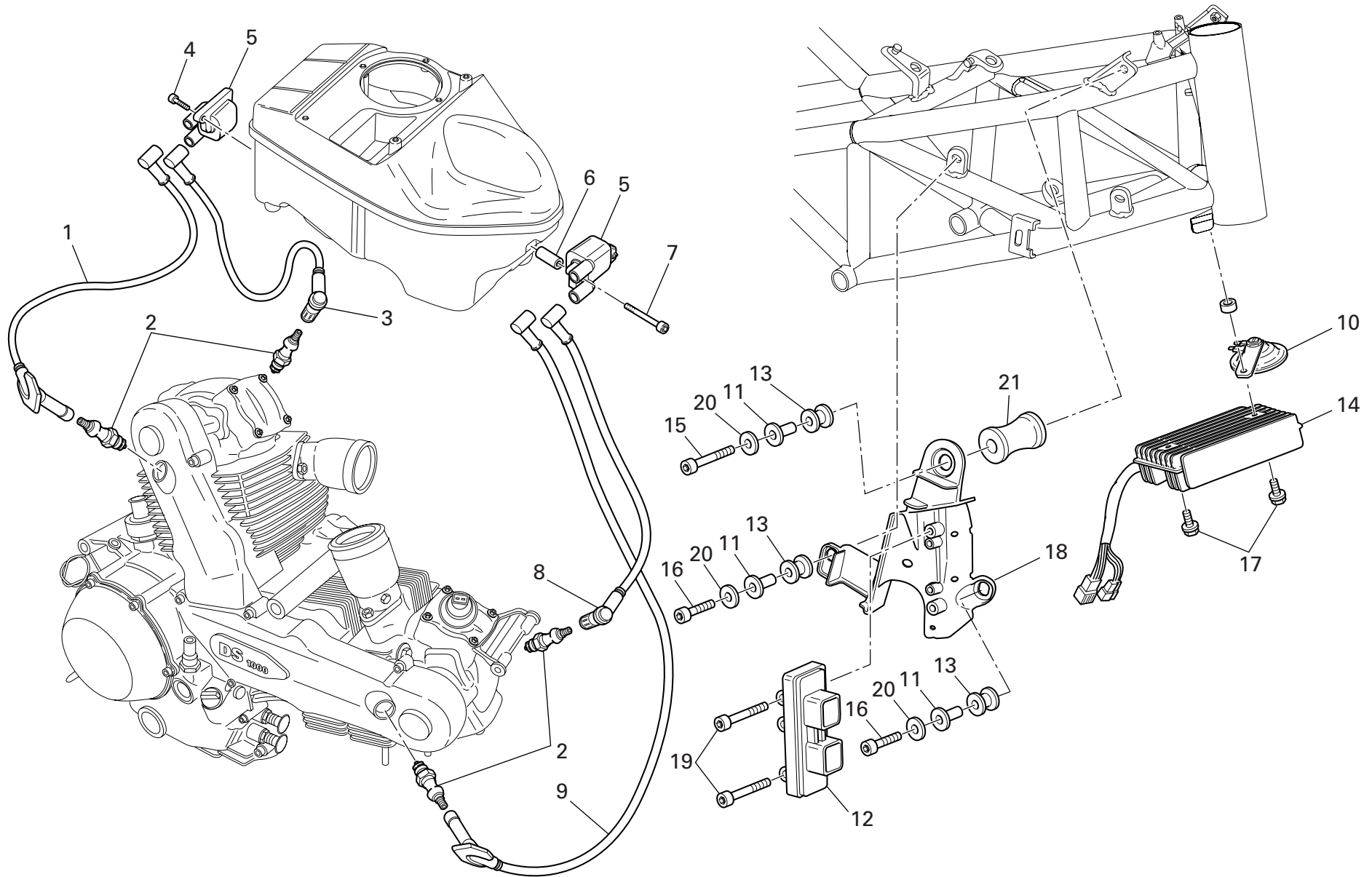
DRAWING 019 ELECTRIC SYSTEM

NOTES NO.	CODE NO.	DESCRIPTION	VALIDITY	Q.TY 
1	395.2.013.1C	Battery		1
2	510.1.544.1A	Electric wiring		1
3	397.4.005.1A	Remote switch		1
4	514.1.053.1A	Solenoid starter - starter motor cable		1
5	514.1.056.1A	Battery - solenoid starter cable		1
6	771.5.637.8B	Screw		2
7	827.1.446.1A	Plate		1
8	827.1.447.1A	Plate		1
9	286.2.040.1A	Data acquisition kit		1
10	872.1.053.1A	Cap		1
11	390.4.025.1A	Bulb		2
12	389.4.019.1A	Fuse 5A		1
12	389.4.020.1A	Fuse 10A		1
12	389.4.021.1A	Fuse 15A		1
12	389.4.022.1A	Fuse 20A		1
12	389.4.024.1A	Fuse 7.5A		1
13	741.4.167.1A	Woodruff key		6
14	775.5.022.1A	Screw		6
15	758.4.016.1A	Fairlead		2
16	775.5.014.1A	Screw		2
17	829.1.750.1A	Battery box mount		1
18	541.4.007.1A	Relay		2
19	389.4.023.1A	Fuse 30A		1

NOTES NO.	CODE NO.	DESCRIPTION	VALIDITY	Q.TY 
-----------	----------	-------------	----------	--

DRAWING 020

ELECTRIC SYSTEM



DRAWING 020

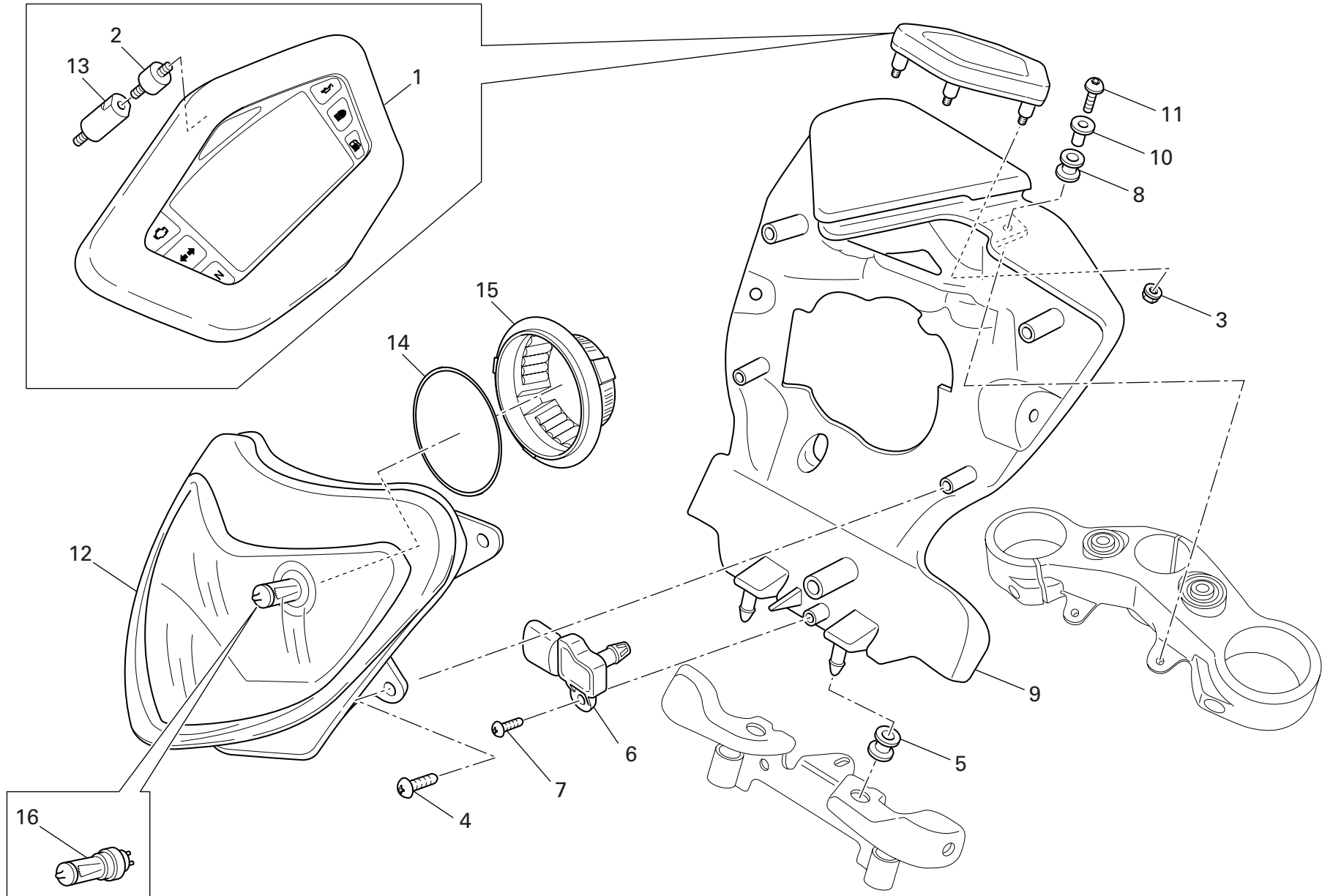
ELECTRIC SYSTEM

NOTES NO.	CODE NO.	DESCRIPTION	VALIDITY	Q.TY 
1	671.1.024.1A	Right spark plug cable		1
2	670.4.035.1A	Spark plug		4
3	671.1.031.1A	Vertical spark plug cable - left		1
4	771.5.042.8B	Screw		2
5	380.4.010.1C	Coil		2
6	711.1.181.1A	Spacer		2
7	771.5.049.8B	Screw		2
8	671.1.028.1A	LH spark plug cable		1
9	671.1.027.1A	Right spark plug cable		1
10	516.4.004.1B	Horn		1
11	716.1.022.1B	Spacer		3
12	286.4.156.1C	Injection control unit		1
13	764.1.075.1A	Rubber pad		3
14	540.4.026.1A	Voltage rectifier		1
15	771.5.675.8B	Screw		1
16	771.5.667.8B	Screw		2
17	772.5.033.1A	Screw		2
18	544.1.011.1A	Bracket		1
19	771.5.675.1B	Screw		2
20	852.5.029.1A	Washer		3
21	866.1.095.1A	Pad		1

NOTES NO.	CODE NO.	DESCRIPTION	VALIDITY	Q.TY 
-----------	----------	-------------	----------	--


DRAWING 021

FRONT HEADLIGHT & INSTR. PANEL



DRAWING 021

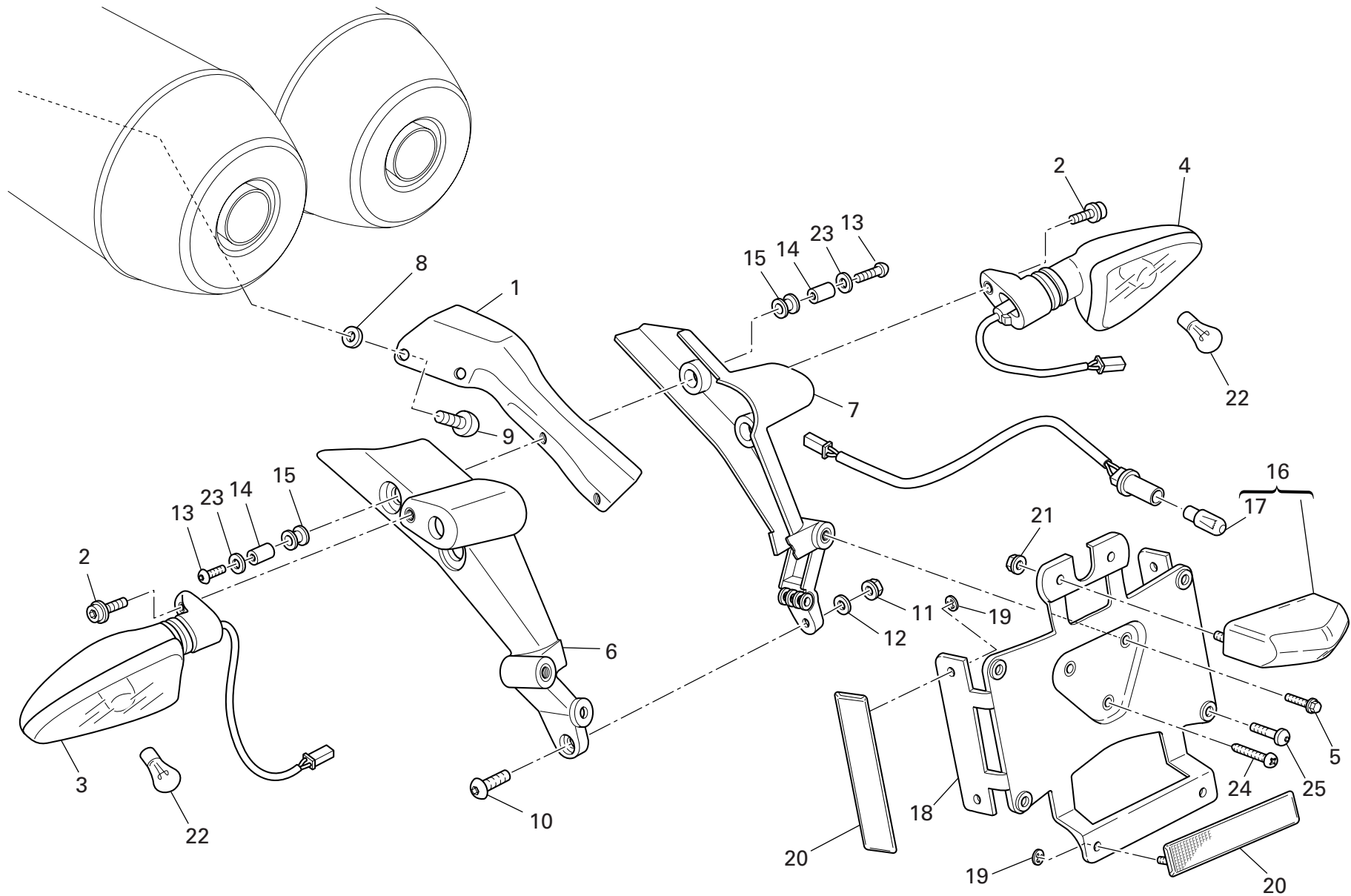
FRONT HEADLIGHT & INSTR. PANEL

NOTES NO.	CODE NO.	DESCRIPTION	VALIDITY	Q.TY 
1	406.1.058.2A	Instrument panel		1
2	700.1.038.1C	Vibration damper pad		3
3	749.5.002.1B	Nut		3
4	774.4.004.1A	Screw		4
5	764.1.069.1A	Rubber pad		2
6	552.4.031.2B	Sensor		1
7	774.4.003.1A	Screw		1
8	764.1.075.1A	Rubber pad		2
9	829.1.746.1A	Holder		1
10	716.1.145.1A	Spacer		2
11	779.4.116.1A	Screw		2
12	520.1.016.1A	Headlight		1
13	711.1.250.1A	Bush		1
14	390.4.027.1A	Gasket		1
15	390.4.026.1A	Cap		1
16	390.4.024.1A	Bulb		1


NOTES NO.	CODE NO.	DESCRIPTION	VALIDITY	Q.TY 
-----------	----------	-------------	----------	--

DRAWING 022

NUMBER PLATE HOLDER



DRAWING **022** NUMBER PLATE HOLDER

NOTES NO.	CODE NO.	DESCRIPTION	VALIDITY	Q.TY 
1	827.1.445.1A	Bracket		1
2	771.5.665.8B	Screw		2
3	530.1.017.1A	Turn indicator (L.H.)		1
4	530.1.016.1A	Turn indicator (R.H.)		1
5	772.5.031.1B	Screw		2
6	561.1.041.1A	Holder (L.H.)		1
7	561.1.042.1A	Holder (R.H.)		1
8	852.4.016.1A	Washer		4
9	775.5.015.1A	Screw		4
10	775.5.014.1A	Screw		1
11	749.5.001.1B	Nut		1
12	852.5.001.1C	Washer		1
13	779.4.116.1A	Screw		4
14	713.1.384.1A	Spacer		4
15	764.1.084.1A	Vibration damper pad		4
16	525.1.019.1A	Number plate light		1
17	525.1.030.1A	Bulb		1
18	561.1.024.1A	Holder		1
19	850.4.052.1A	Quik fastening		6
20	529.1.010.1A	Reflector		3
21	748.4.100.1AB	Nut		2
22	390.4.021.1A	Bulb		2
23	852.1.157.1A	Washer		4
24	774.4.005.1A	Screw		1
25	775.1.038.1B	Screw		4

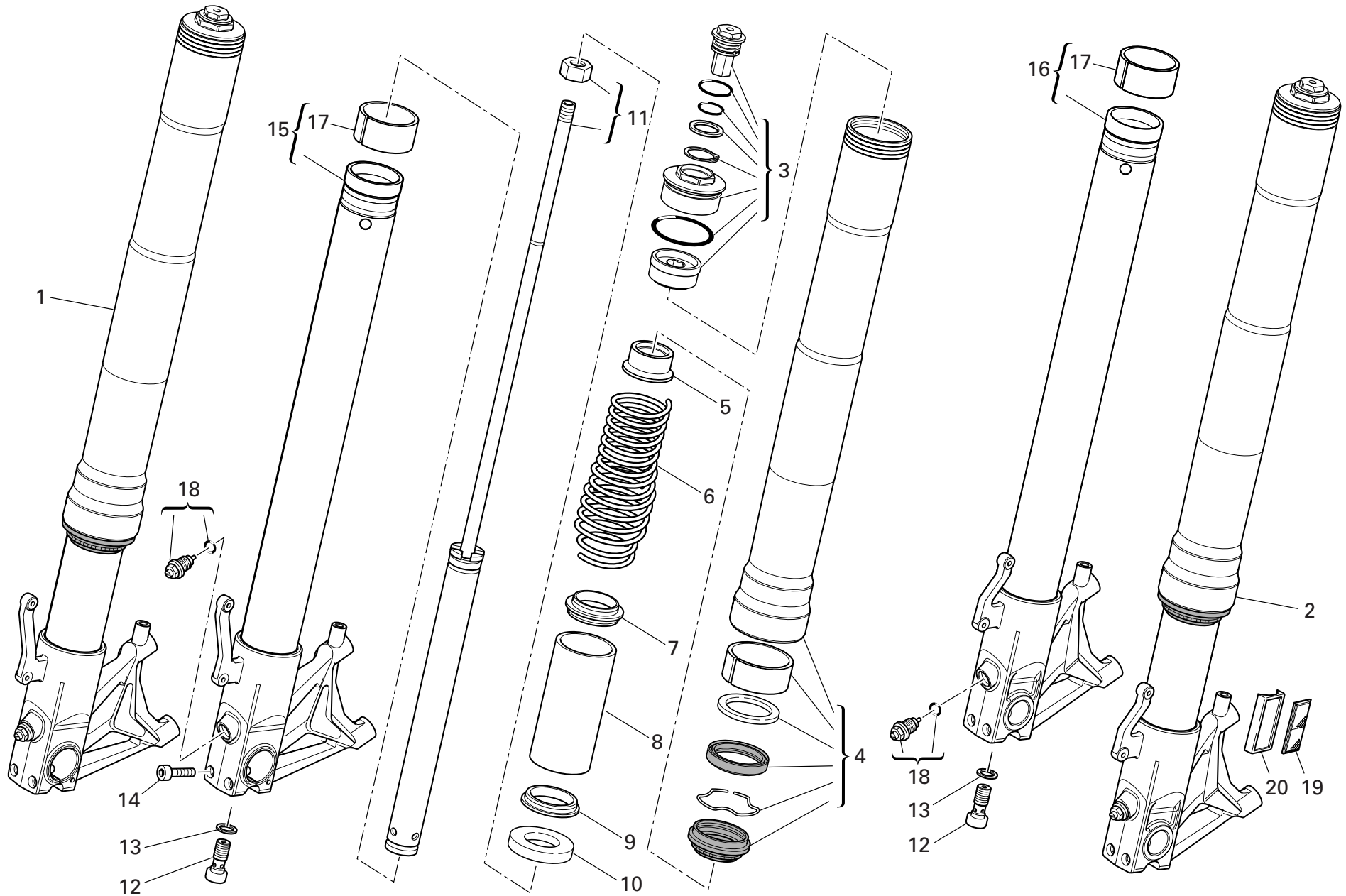
NOTES NO.	CODE NO.	DESCRIPTION	VALIDITY	Q.TY 
-----------	----------	-------------	----------	--

CATALOGUE No: 915.1.258.1B
ISSUED: 03 - 07


CATALOGUE No: 915.1.258.1B
ISSUED: 03 - 07

DRAWING 023

FRONT FORK



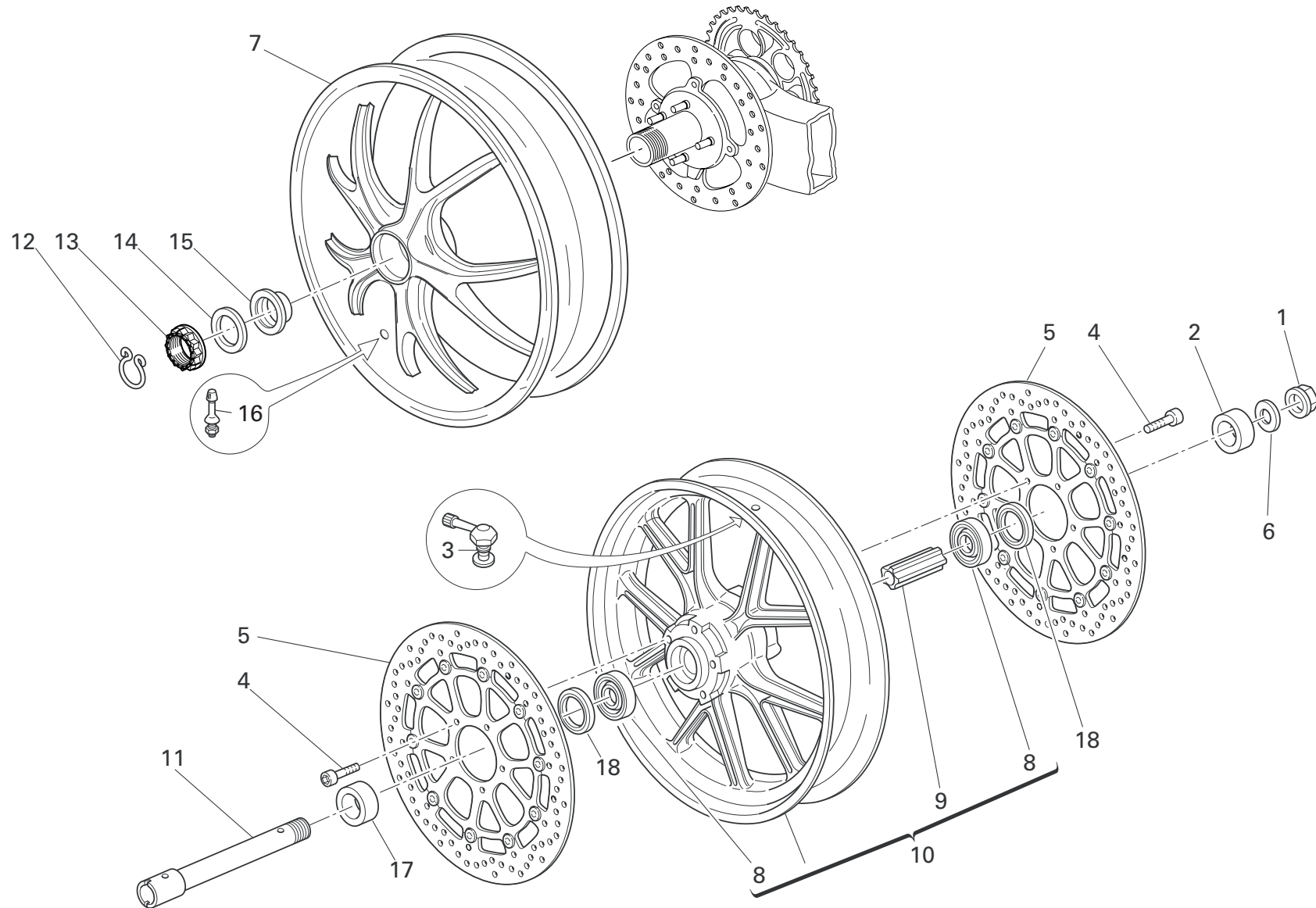
DRAWING **023** FRONT FORK

NOTES NO.	CODE NO.	DESCRIPTION	VALIDITY	Q.TY 
1	344.2.020.1A	R.H. fork leg assembly		1
2	345.2.020.1A	L.H. fork leg assembly		1
3	349.2.044.1A	Complete cap		2
4	349.2.045.1A	Stanchion tube		2
5	349.1.216.1A	Bush		2
6	349.1.217.1A	Spring		2
7	349.1.218.1A	Washer		2
8	349.1.219.1A	Preload tube		2
9	349.1.220.1A	Washer		2
10	349.2.034.1A	Bush		2
11	348.2.024.1A	Damper tube		2
12	779.1.533.1A	Special screw		2
13	349.1.001.1A	Special washer		2
14	771.5.072.8B	Screw		4
15	348.2.022.1A	Fork bottom end + sleeve unit (R.H.)		1
16	348.2.023.1A	Fork bottom end + sleeve unit (L.H.)		1
17	349.1.215.1A	Bush		2
18	349.2.046.1A	Adjusting screw		2
19	529.1.001.1A	Reflector		2
20	0374.37.190	Holder		2

NOTES NO.	CODE NO.	DESCRIPTION	VALIDITY	Q.TY 
-----------	----------	-------------	----------	--


DRAWING 024

FRONT AND REAR WHEELS



DRAWING 024

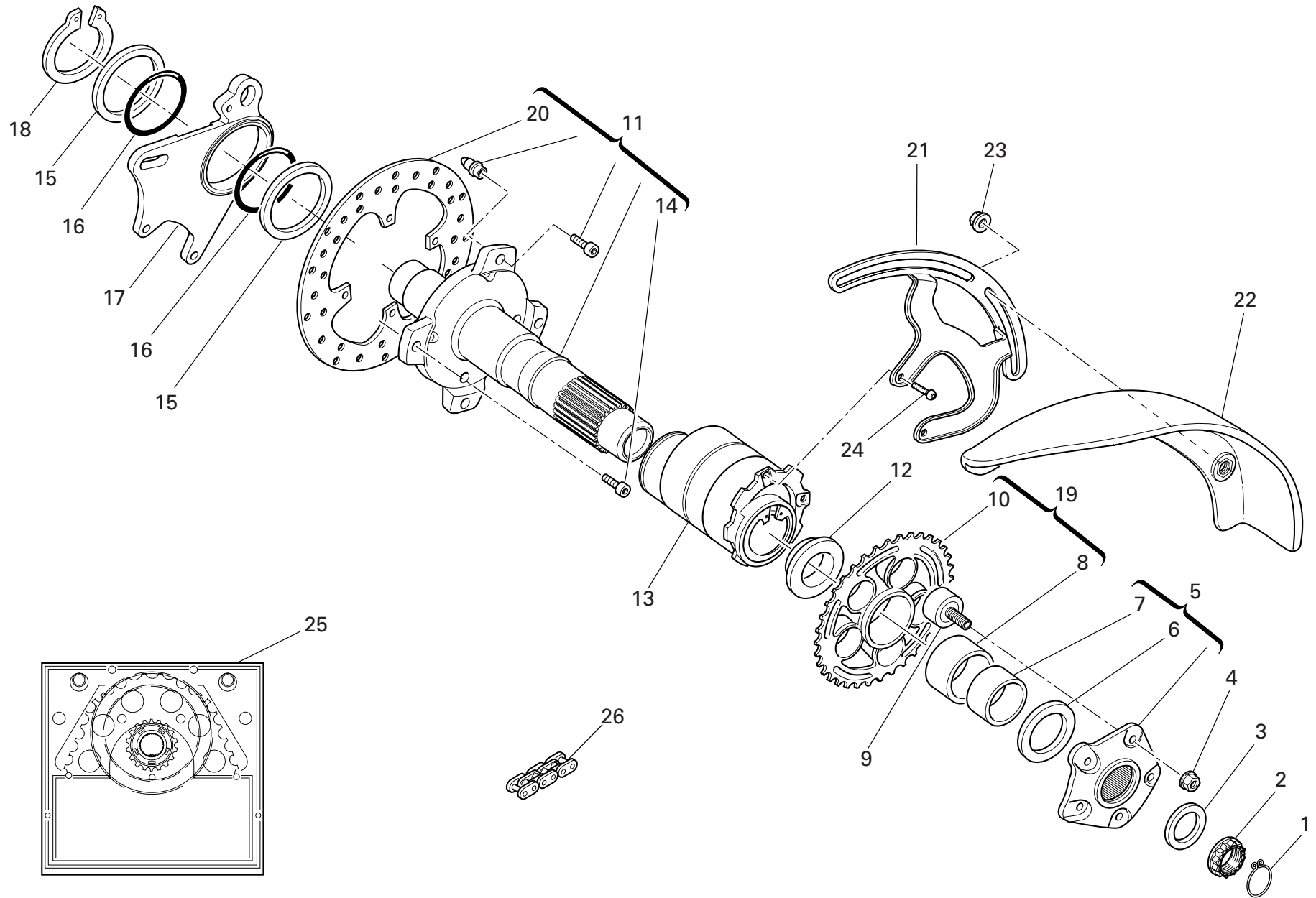
FRONT AND REAR WHEELS

NOTES NO.	CODE NO.	DESCRIPTION	VALIDITY	Q.TY 
1	748.1.014.1C	Fork nut		1
2	713.1.197.3A	L.H. spacer		1
3	497.2.001.2A	Valve		1
4	779.1.399.1A	Screw		10
5	492.4.092.1A	Brake disc (front)		2
6	852.1.181.1A	Washer		1
7	502.2.116.1AB	Rear wheel rim		1
8	702.5.045.1A	Bearing		2
9	714.1.047.1A	Inner spacer		1
10	501.2.116.1AB	Wheel rim		1
11	819.1.043.1A	Front wheel spindle		1
12	759.1.009.1A	Clip		1
13	750.1.019.1B	Nut		1
14	852.1.057.1A	Washer		1
15	714.1.027.1A	Special washer		1
16	497.2.003.1A	Valve		1
17	713.1.196.1A	R.H. spacer		1
18	930.4.052.1A	Seal ring		2

NOTES NO.	CODE NO.	DESCRIPTION	VALIDITY	Q.TY 
-----------	----------	-------------	----------	--

DRAWING 025

REAR WHEEL PIN



DRAWING 025

REAR WHEEL PIN

NOTES NO.	CODE NO.	DESCRIPTION	VALIDITY	Q.TY 
1	759.1.008.1A	Clip		1
2	750.1.018.1C	Nut		1
3	852.1.055.1A	Washer		1
4	748.4.024.1AB	Nut		5
5	160.1.021.1C	Rear sprocket flange		1
6	852.1.058.2A	Washer		1
7	711.1.067.1A	Bush		1
8	712.1.018.1A	Bush		1
9	700.1.017.1E	Rubber cush drive hub		5
10	494.1.097.1A	Ring gear z=42		1
11	819.2.064.1A	Wheel spindle (rear)		1
12	714.1.041.1A	Spacer		1
13	756.2.006.2A	Eccentric		1
14	771.5.266.8B	Screw		4
15	852.1.059.1A	Washer		2
16	886.5.003.1A	O-Ring		2
17	825.1.035.1A	Caliper holder plate		1
18	884.5.004.1A	Circlip		1
19	494.2.104.1A	Ring gear assembly		1
20	492.4.076.1A	Rear brake disc		1
21	830.1.282.1B	Bracket		1
22	564.1.045.1A	Mudflap		1
23	748.1.036.1A	Nut		2
24	775.1.033.1B	Screw		2
25	676.2.064.1A	Final drive kit		1
26	676.4.064.1A	Chain		1

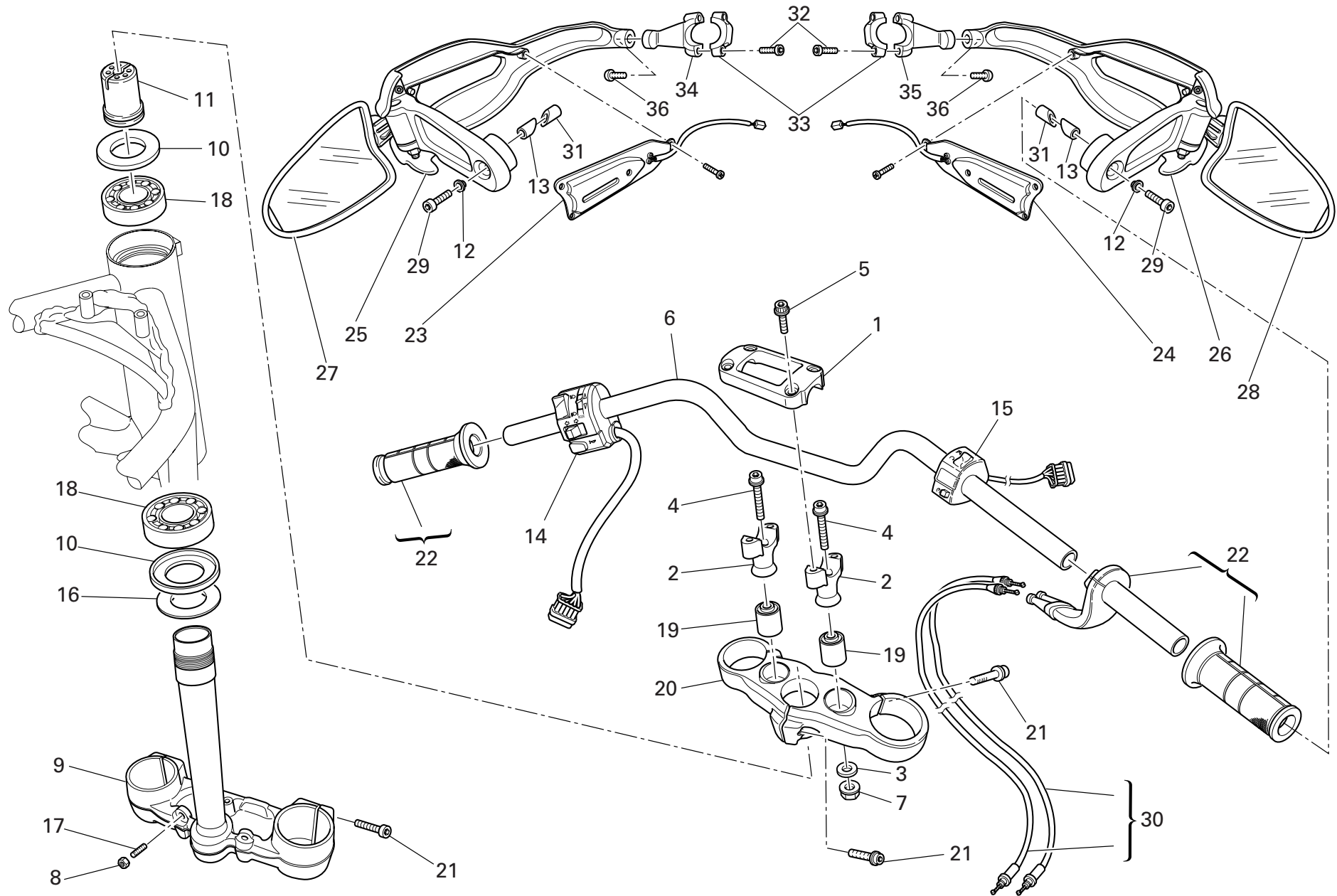
NOTES NO.	CODE NO.	DESCRIPTION	VALIDITY	Q.TY 
-----------	----------	-------------	----------	--

CATALOGUE No: 915.1.258.1B
ISSUED: 03 - 07

CATALOGUE No: 915.1.258.1B
ISSUED: 03 - 07


DRAWING 026


HANDLEBAR AND CONTROLS



DRAWING 026

HANDLEBAR AND CONTROLS

NOTES NO.	CODE NO.	DESCRIPTION	VALIDITY	Q.TY 
1	360.1.092.1A	Bracket		1
2	360.1.091.1A	Stud bolt		2
3	852.1.049.1B	Washer		2
4	771.5.941.8B	Screw		2
5	771.5.725.8B	Screw		4
6	360.1.090.1A	Handlebar		1
7	748.4.024.1AB	Nut		2
8	747.5.007.1A	Nut		2
9	342.2.050.1A	Steering head base		1
10	930.1.004.1B	Seal ring		2
11	703.1.044.1A	Ring nut		1
12	856.1.129.1A	Washer		2
13	710.1.107.1A	Bush		2
14	651.1.007.1A	Switch (L.H.)		1
15	650.1.007.1A	Switch (R.H.)		1
16	852.1.103.1A	Washer		1
17	779.1.099.1B	Special screw		2
18	702.4.004.1A	Bearing		2
19	700.1.054.1A	Spacer		2
20	341.1.065.1A	Steering head		1
21	771.5.727.8B	Screw		9
22	654.4.010.1A	Throttle control		1
23	530.1.015.1A	Turn indicator (L.H.)		1
24	530.1.014.1A	Turn indicator (R.H.)		1
25	460.1.271.1A	Hand guard (L.H.)		1
26	460.1.270.1A	Hand guard (R.H.)		1
27	523.1.031.1A	Rear-view mirror (L.H.)		1

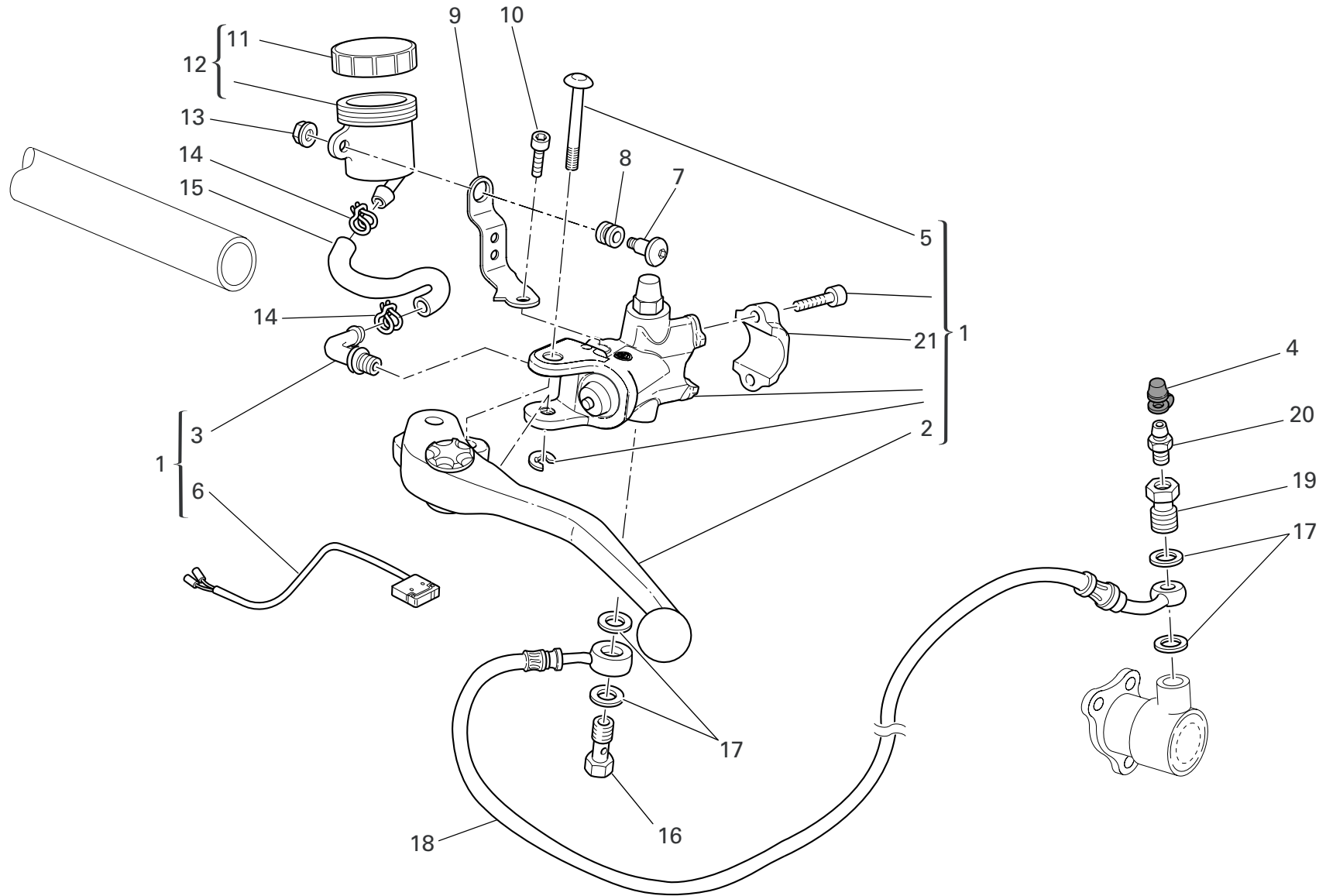
NOTES NO.	CODE NO.	DESCRIPTION	VALIDITY	Q.TY 
28	523.1.030.1A	Rear-view mirror (R.H.)		1
29	771.5.675.8B	Screw		2
30	656.2.071.1A	Cables		1
31	711.1.130.1A	Bush		2
32	773.5.041.3B	Screw		4
33	808.1.114.1A	Clamp		2
34	830.1.445.1B	Mirror holder (L.H.)		1
35	830.1.444.1B	Mirror holder (R.H.)		1
36	775.5.025.1A	Screw		2

CATALOGUE No: 915.1.258.1B
ISSUED: 03 - 07

CATALOGUE No: 915.1.258.1B
ISSUED: 03 - 07

DRAWING 027

CLUTCH CONTROL



DRAWING 027

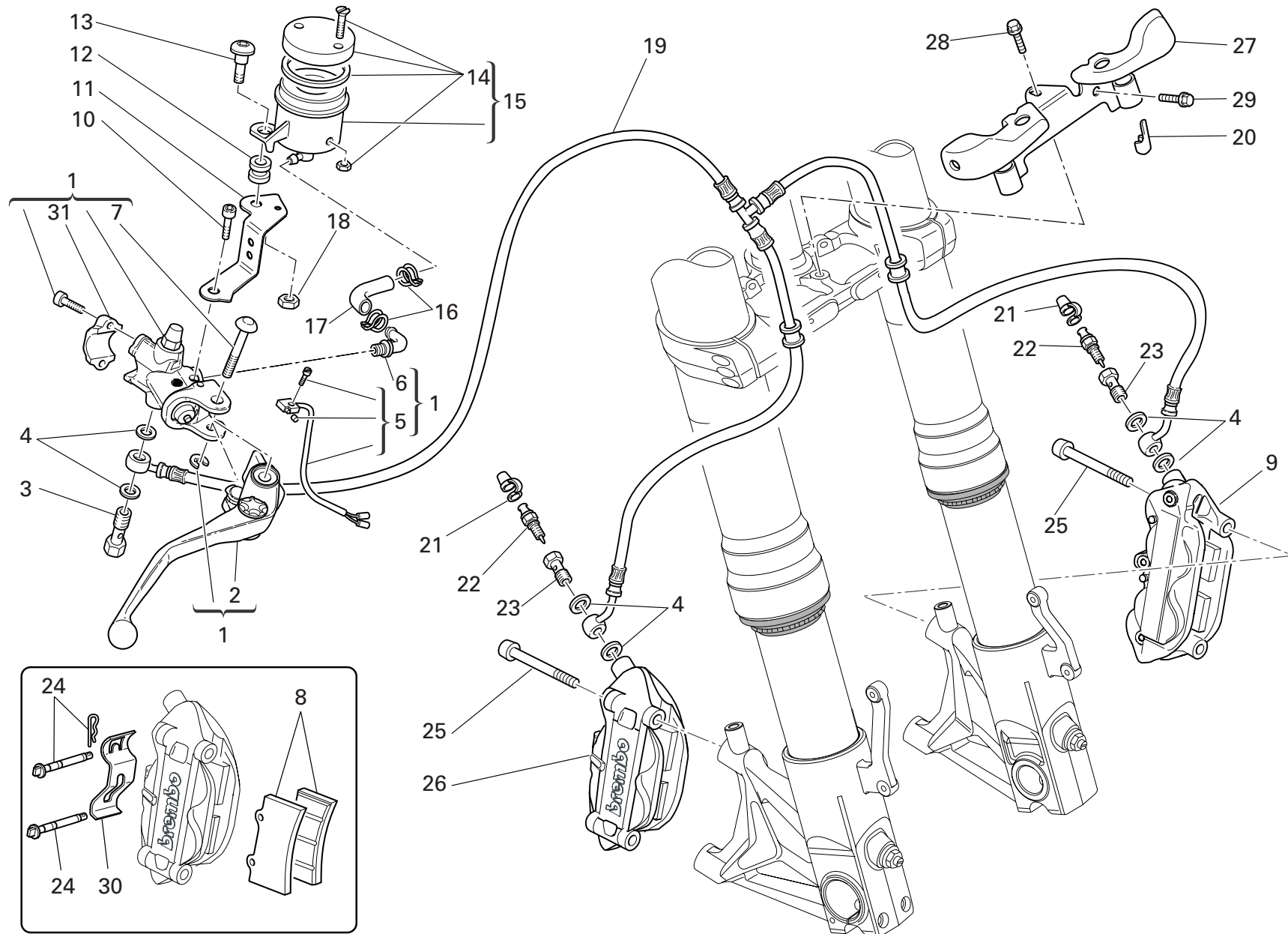
CLUTCH CONTROL

NOTES NO.	CODE NO.	DESCRIPTION	VALIDITY	Q.TY 
1	630.4.040.1A	Clutch drive pump		1
2	626.4.055.1A	Brake control lever		1
3	631.4.008.1A	Spare union		1
4	612.4.005.1A	Dust seal		1
5	626.4.056.1A	Pin		1
6	539.4.036.1A	Microswitch		1
7	779.1.092.1A	Screw		1
8	0370.72.020	Vibration damper pad		1
9	829.1.708.1A	Bracket		1
10	779.5.059.1A	Screw		1
11	893.4.005.1A	Cap		1
12	0000.61078	Complete oil tank		1
13	8000.56443	Nut		1
14	741.4.043.1A	Hose guide		2
15	877.1.110.1A	Tube		1
16	779.1.366.1AB	Special screw		1
17	852.5.024.1A	Gasket th.1		4
18	632.1.043.1A	Clutch control pipe (METAL PLAITED)		1
19	779.1.397.1A	Special screw		1
20	187.1.002.1A	Bleed		1
21	626.4.031.1A	Bracket		1

NOTES NO.	CODE NO.	DESCRIPTION	VALIDITY	Q.TY 
-----------	----------	-------------	----------	--


DRAWING 028

FRONT BRAKE



DRAWING 028 FRONT BRAKE

NOTES NO.	CODE NO.	DESCRIPTION	VALIDITY	Q.TY 
1	624.4.050.1A	Front brake pump		1
2	626.4.058.1A	Brake control lever		1
3	779.1.415.1A	Special screw		1
4	852.5.024.1A	Gasket th.1		6
5	539.4.047.1A	Microswitch		1
6	631.4.008.1A	Spare union		1
7	626.4.056.1A	Pin		1
8	613.4.041.1A	Pads pair		2
9	610.4.096.1A	L.H. brake caliper		1
10	779.5.059.1A	Screw		1
11	829.1.709.1A	Bracket		1
12	0370.72.020	Vibration damper pad		1
13	779.1.092.1A	Screw		1
14	893.4.005.1A	Cap		1
15	0000.66181	Complete oil tank		1
16	741.4.043.1A	Hose guide		2
17	877.1.118.1A	Tube		1
18	8000.56443	Nut		1
19	618.4.082.1A	Caliper pump pipe (METAL PLAITED)		1
20	626.4.044.1A	Bracket		1
21	612.4.005.1A	Dust seal		2
22	187.1.002.1A	Bleed		2
23	779.1.397.1A	Special screw		2
24	612.4.014.1A	Spare pins and spring		2
25	779.1.511.1A	Screw		4
26	610.4.097.1A	R.H. brake caliper		1
27	830.1.443.1A	Holder		1

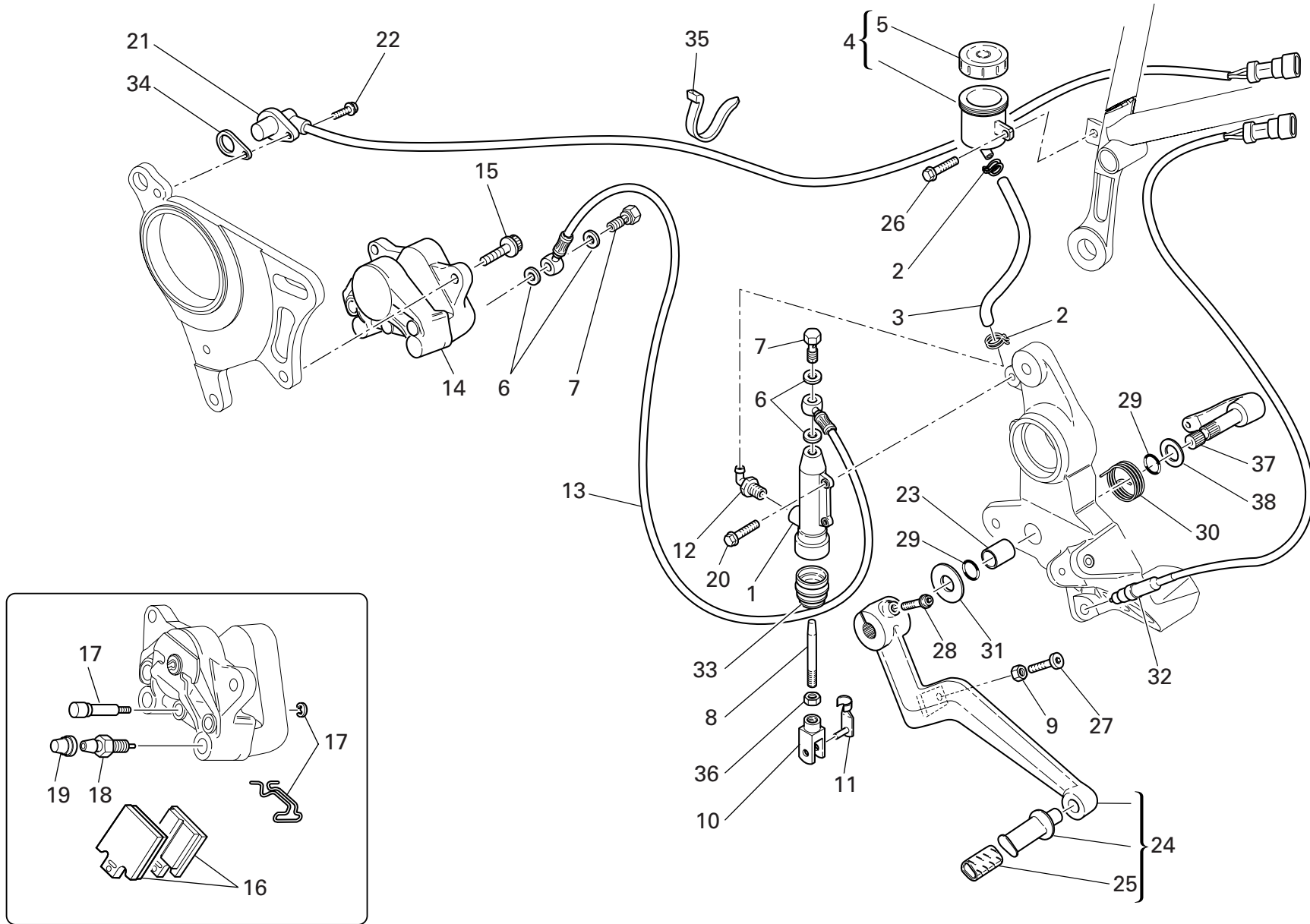
NOTES NO.	CODE NO.	DESCRIPTION	VALIDITY	Q.TY 
28	772.1.050.1A	Screw		3
29	772.5.037.1A	Screw		2
30	612.4.017.1A	Spring		2
31	626.4.031.1A	Bracket		1

CATALOGUE No: 915.1.258.1B
ISSUED: 03 - 07

CATALOGUE No: 915.1.258.1B
ISSUED: 03 - 07

DRAWING 029


REAR BRAKE



DRAWING 029 REAR BRAKE

NOTES NO.	CODE NO.	DESCRIPTION	VALIDITY	Q.TY 
1	625.4.019.1A	Rear brake pump		1
2	741.4.043.1A	Hose guide		2
3	877.1.120.1A	Tube		1
4	585.4.001.1A	Complete oil tank		1
5	893.4.005.1A	Cap		1
6	852.5.024.1A	Gasket th.1		4
7	779.1.366.1AB	Special screw		2
8	117.1.067.1A	Adjuster rod		1
9	747.5.005.1B	Nut		1
10	184.1.005.1A	Fork		1
11	850.1.015.1A	Quik fastening		1
12	631.4.008.1A	Spare union		1
13	619.4.039.1A	Rear brake line (METAL PLAITED)		1
14	611.4.030.1AB	Rear brake caliper		1
15	771.5.723.8B	Screw		2
16	613.4.038.1A	Pads pair		1
17	612.4.016.1A	Spare pins and spring		1
18	631.4.016.1A	Bleed		1
19	612.4.008.1A	Dust seal		1
20	772.5.031.1B	Screw		2
21	552.1.043.1A	Speed sensor		1
22	772.5.029.1A	Screw		1
23	712.1.034.1A	Bush		1
24	457.2.022.2A	Brake lever		1
25	764.1.011.2A	Rubber pad		1
26	772.5.032.1A	Screw		1
27	779.1.237.1B	Adjusting screw		1

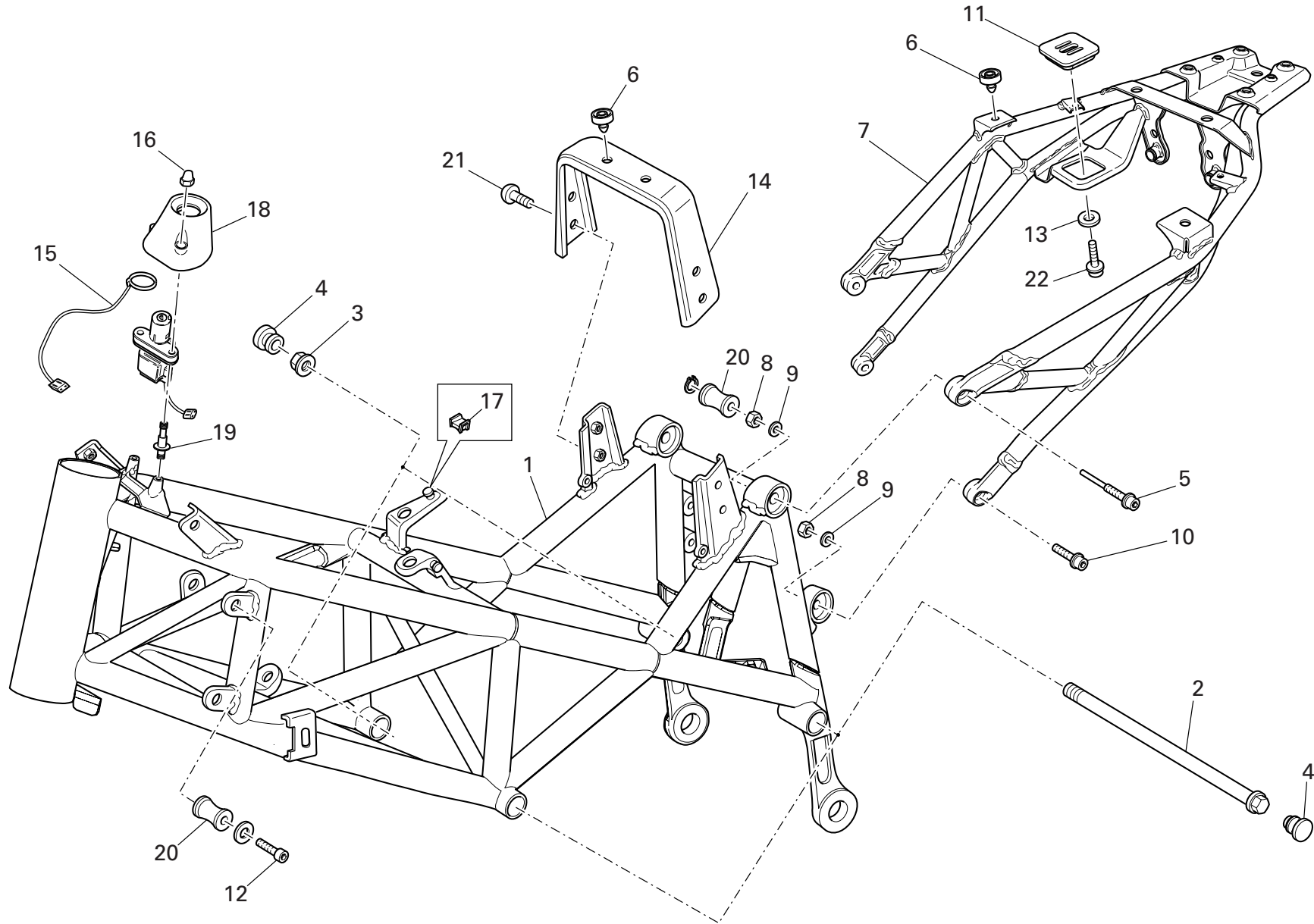
CATALOGUE No: 915.1.258.1B
ISSUED: 03 - 07

NOTES NO.	CODE NO.	DESCRIPTION	VALIDITY	Q.TY 
28	771.5.668.8B	Screw		1
29	0000.01199	O-ring		2
30	799.1.174.1A	Return spring		1
31	852.1.153.1A	Washer		1
32	539.4.003.1B	Switch		1
33	626.4.013.1A	Dust cover		1
34	713.1.192.1A	Spacer		1
35	741.4.038.1A	Hose guide		2
36	747.5.003.1A	Nut		1
37	455.1.015.1B	Brake master cylinder lever		1
38	852.1.152.1A	Washer		1


CATALOGUE No: 915.1.258.1B
ISSUED: 03 - 07

DRAWING 030

FRAME



DRAWING 030 FRAME

NOTES NO.	CODE NO.	DESCRIPTION	VALIDITY	Q.TY 
1	470.1.200.1BA	Frame (RED)		1
2	779.1.213.1A	Screw		2
3	748.4.002.1A	Nut		2
4	872.1.026.1A	Cap		4
5	779.1.512.1A	Special screw		2
6	866.1.061.1A	Rubber pad		2
7	470.1.195.1B	Rear frame		1
8	748.1.044.1A	Nut		4
9	852.1.231.1A	Washer		4
10	771.5.729.8B	Screw		2
11	866.1.047.1A	Pad		1
12	771.5.673.8B	Screw		1
13	852.1.169.1A	Washer		1
14	830.1.446.1A	Bracket		1
15	518.4.004.2B	Antenna		1
16	749.4.002.1A	Nut		2
17	850.4.067.1A	Clamp		16
18	246.1.060.2A	Cover		1
19	779.1.221.1B	Special screw		2
20	866.1.095.1A	Pad		3
21	775.5.020.1A	Screw		4
22	779.1.341.1B	Special screw		2

NOTES NO.	CODE NO.	DESCRIPTION	VALIDITY	Q.TY 
-----------	----------	-------------	----------	--

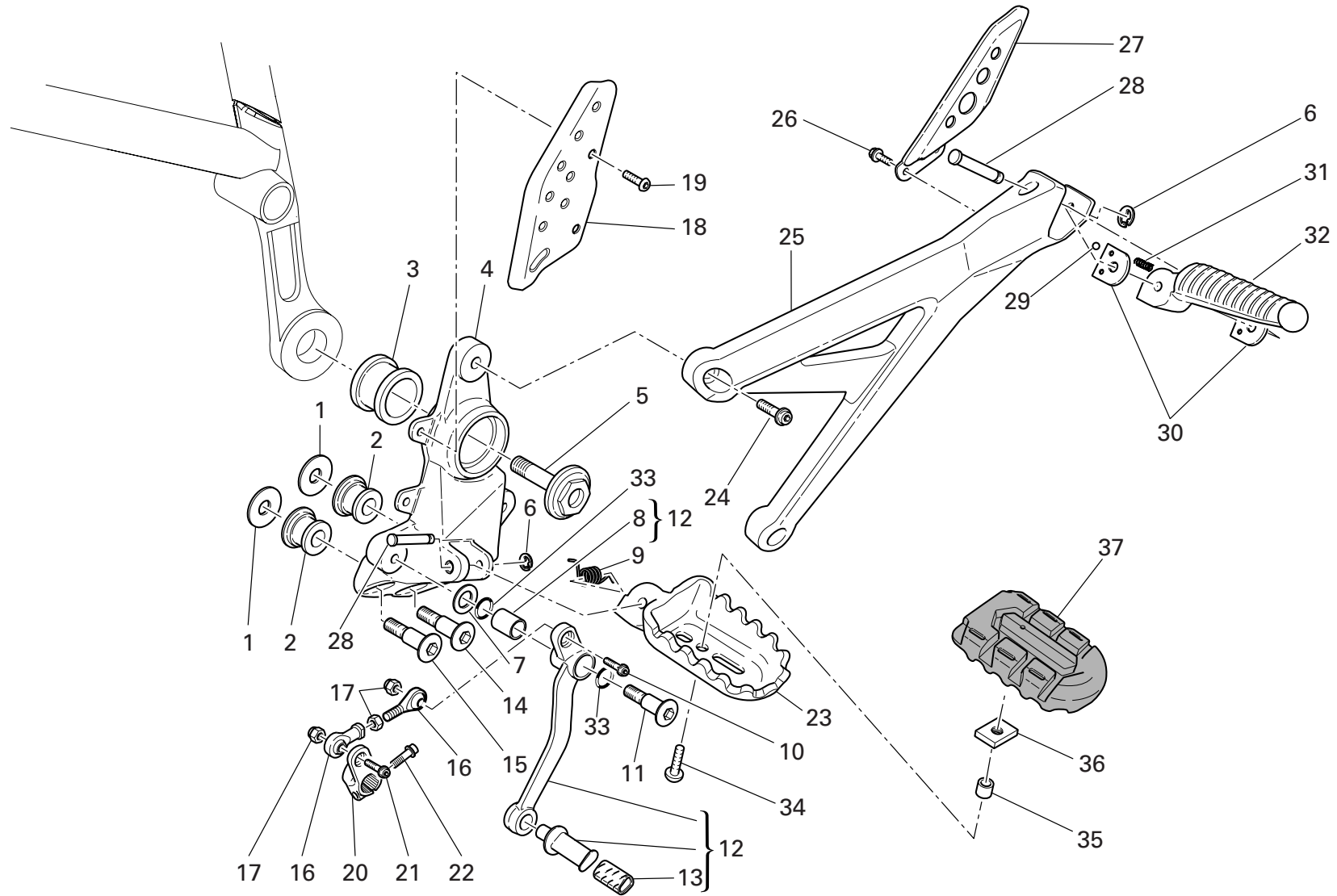
DRAWING 031

R.H. FOOT RESTS

NOTES NO.	CODE NO.	DESCRIPTION	VALIDITY	Q.TY 
1	464.1.037.1A	Rear foot peg (R.H.)		1
2	884.5.003.1A	Ring		2
3	827.1.115.1B	Plate		2
4	821.1.068.1B	Pin		2
5	247.1.262.1A	Rear heel guard		1
6	772.1.045.1A	Screw		2
7	824.1.079.1A	Rear foot peg holder plate (R.H.)		1
8	771.5.725.8B	Screw		2
9	464.1.050.1A	Front foot peg (R.H.)		1
10	779.1.305.1A	Special screw		1
11	824.2.071.1A	Foot peg holder plate (R.H.)		1
12	764.1.066.1A	Rubber pad		1
13	700.1.049.1A	Vibration damper		2
14	799.1.166.1A	Spring		1
15	80N0.21507	Ball		1
16	852.1.179.1A	Washer		1
17	799.1.252.1B	Spring		1
18	779.1.418.1A	Screw		2
19	852.1.065.1B	Washer		2
20	247.1.313.1A	Foot peg cover		1
21	711.1.253.1A	Bush		1
22	775.5.021.1A	Screw		1
23	827.1.454.1A	Plate		1


NOTES NO.	CODE NO.	DESCRIPTION	VALIDITY	Q.TY 
-----------	----------	-------------	----------	--

DRAWING 031a L.H. FOOT RESTS



DRAWING 031a L.H. FOOT RESTS

NOTES NO.	CODE NO.	DESCRIPTION	VALIDITY	Q.TY 
1	852.1.065.1B	Washer		2
2	700.1.049.1A	Vibration damper		2
3	764.1.066.1A	Rubber pad		1
4	824.1.072.1A	Foot peg holder plate (L.H.)		1
5	779.1.305.1A	Special screw		1
6	884.5.003.1A	Ring		2
7	852.1.151.1A	Washer		1
8	712.1.034.1A	Bush		1
9	799.1.166.1A	Spring		1
10	771.5.667.8B	Screw		1
11	821.1.170.1A	Pin		1
12	456.2.035.2A	Gearchange lever		1
13	764.1.011.2A	Rubber pad		1
14	779.1.418.1A	Screw		1
15	779.1.206.1AB	Special screw		1
16	848.4.023.1A	Gearbox transmission rod		1
17	749.4.004.1A	Nut		3
18	827.1.279.1A	Chain cover		1
19	775.1.031.1B	Screw		2
20	456.1.038.1A	Gearchange control lever		1
21	771.5.668.8B	Screw		1
22	771.5.666.8B	Screw		1
23	464.1.051.1A	Front foot peg (L.H.)		1
24	771.5.725.8B	Screw		2
25	824.1.080.1A	Rear foot peg holder plate (L.H.)		1
26	772.1.045.1A	Screw		2
27	247.1.262.1A	Rear heel guard		1

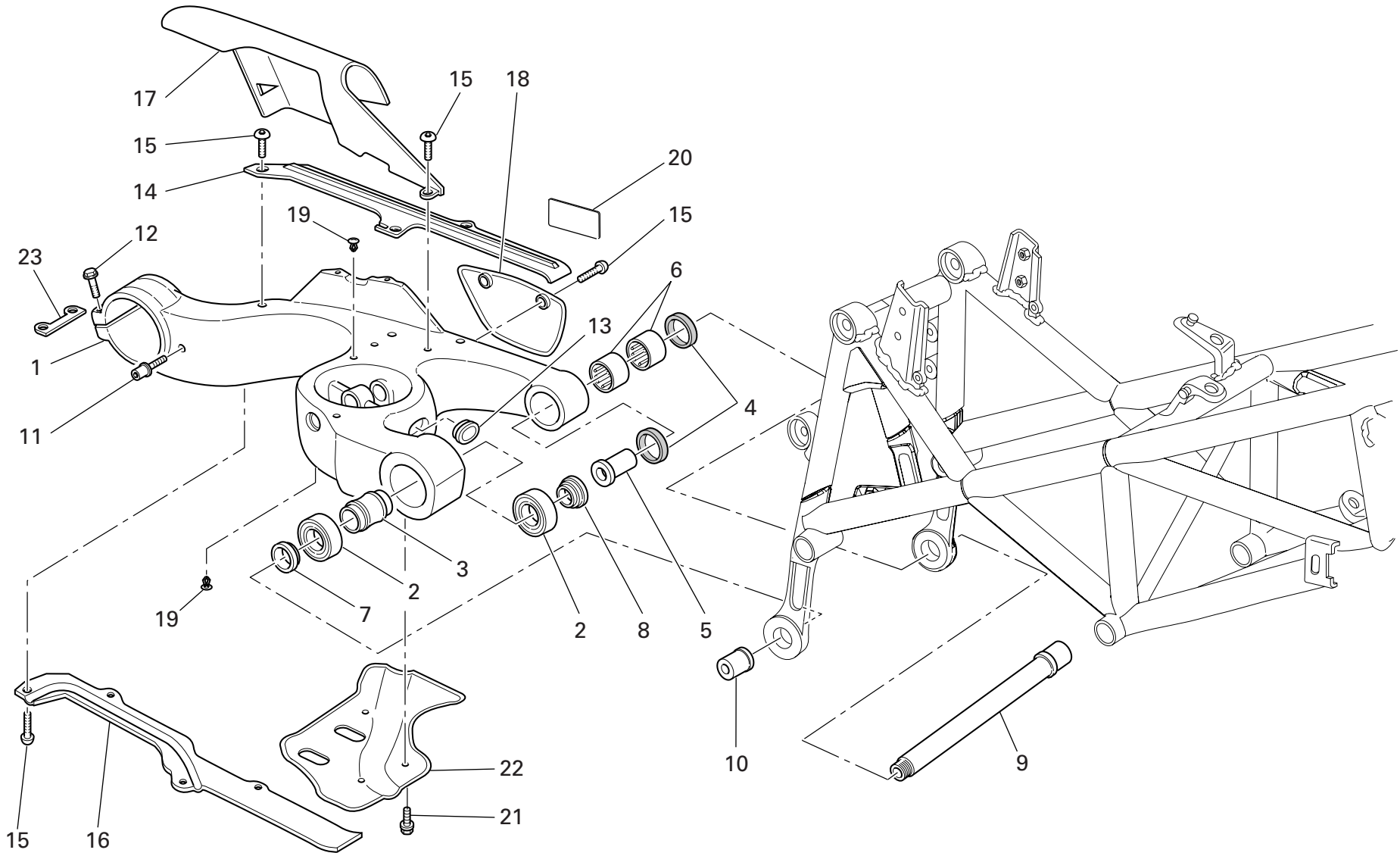
NOTES NO.	CODE NO.	DESCRIPTION	VALIDITY	Q.TY 
28	821.1.068.1B	Pin		2
29	80N0.21507	Ball		1
30	827.1.115.1B	Plate		2
31	799.1.252.1B	Spring		1
32	464.1.038.1A	Rear foot peg (L.H.)		1
33	0000.01199	O-ring		2
34	775.5.021.1A	Screw		1
35	711.1.253.1A	Bush		1
36	827.5.021.1A	Plate		1
37	247.1.313.1A	Foot peg cover		1

CATALOGUE No: 915.1.258.1B
ISSUED: 03 - 07

CATALOGUE No: 915.1.258.1B
ISSUED: 03 - 07

DRAWING 032

SWINGING ARM



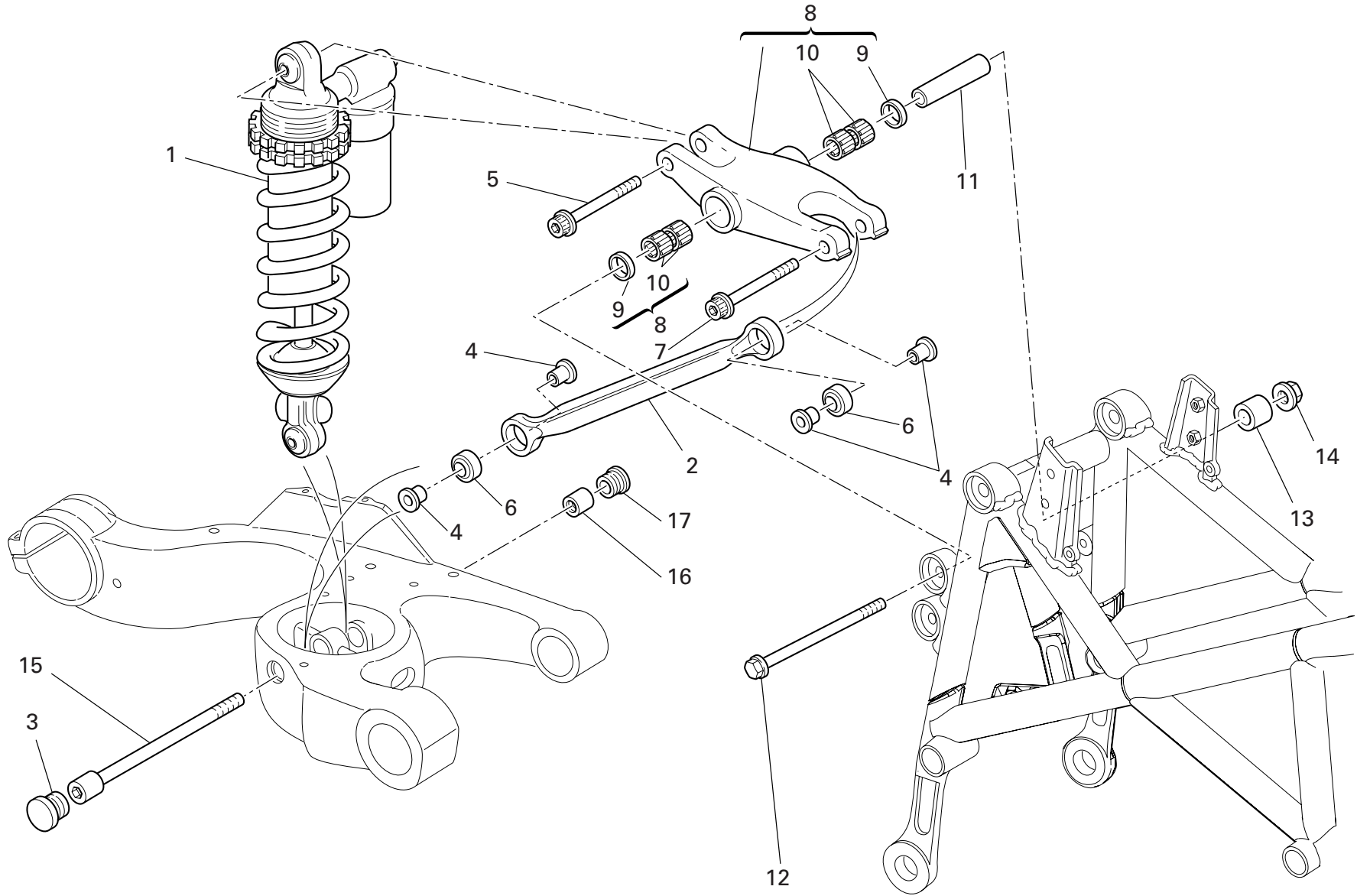
DRAWING 032 SWINGING ARM

NOTES NO.	CODE NO.	DESCRIPTION	VALIDITY	Q.TY 
1	370.1.033.2B	Swingarm		1
2	702.5.045.1A	Bearing		2
3	713.1.187.1A	Spacer		1
4	930.5.012.1A	Seal ring		2
5	710.1.109.1A	Bush		1
6	701.4.017.1A	Needle bearing		2
7	712.1.029.1A	Spacer		1
8	712.1.031.1A	L.H. spacer		1
9	369.1.011.1A	Swingarm pivot		1
10	750.1.116.1A	Special nut		1
11	832.1.003.1C	Pin		1
12	772.1.004.2B	Screw		2
13	872.1.016.1A	Cap		1
14	447.1.048.1A	Upper chain sliding shoer		1
15	775.1.008.1B	Screw		12
16	447.1.049.1A	Lower chain sliding shoe		1
17	447.1.051.1A	Upper chain guard		1
18	447.1.050.1A	Lower chain guard		1
19	872.4.044.1A	Cap		6
20	433.1.312.1A	Chain adjustment sticker		1
21	772.5.029.1A	Screw		3
22	460.1.153.1A	Heat guard		1
23	827.1.311.1A	Plate		1

NOTES NO.	CODE NO.	DESCRIPTION	VALIDITY	Q.TY 
-----------	----------	-------------	----------	--


DRAWING 033

REAR SUSPENSION



DRAWING 033

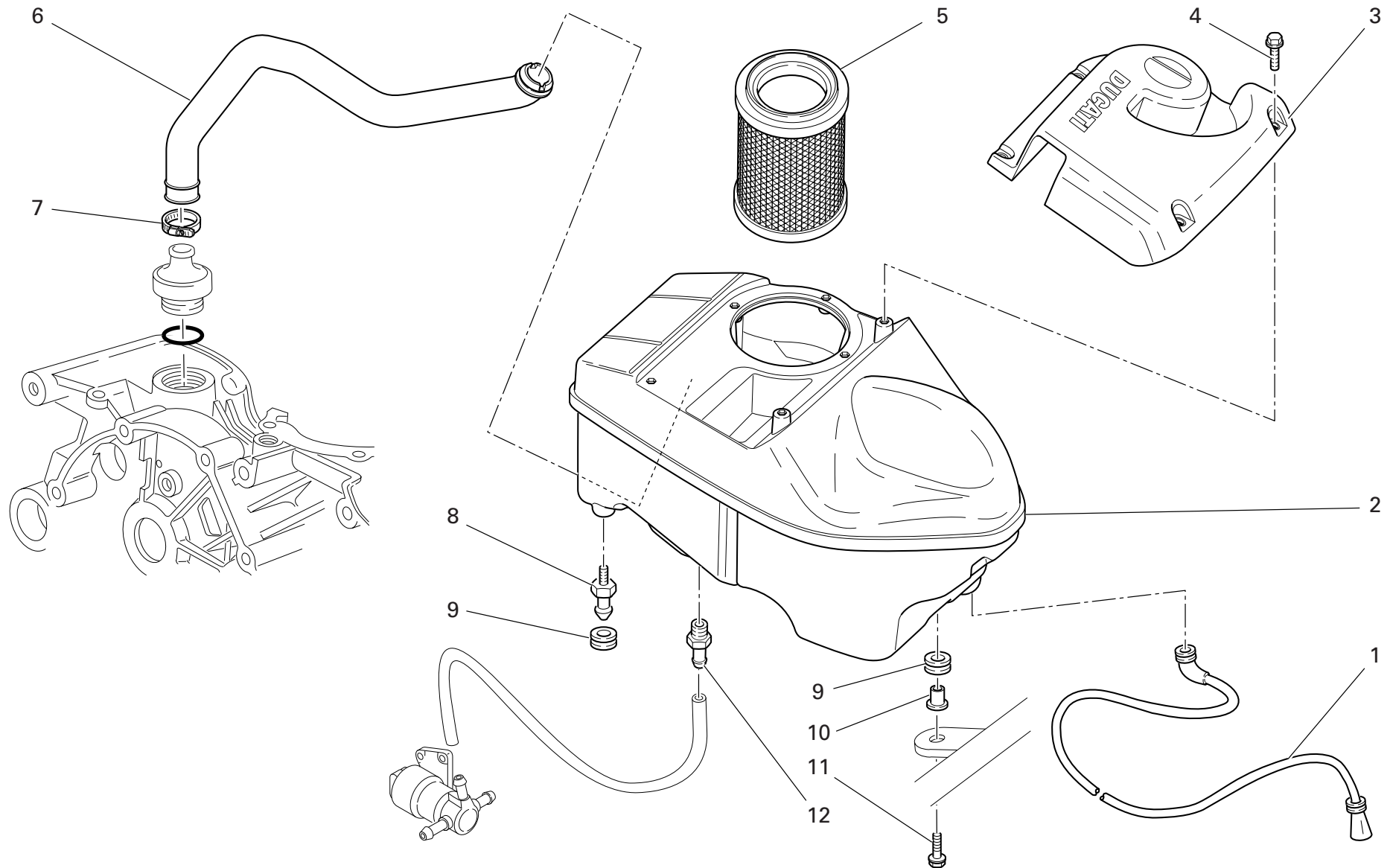
REAR SUSPENSION

NOTES NO.	CODE NO.	DESCRIPTION	VALIDITY	Q.TY 
1	365.2.076.1A	Shock absorber		1
2	372.2.052.1A	Reaction rod		1
3	872.1.041.1A	R.H. cap		1
4	710.1.025.1A	Bush		4
5	771.5.938.8B	Screw		1
6	848.4.011.1A	Ball joint		2
7	771.5.937.8B	Screw		1
8	372.2.016.1A	Rocker assembly		1
9	93781.1824	Seal ring		2
10	701.4.006.1A	Needle bearing		4
11	715.1.005.1A	Spacer		1
12	771.1.031.1A	Screw		1
13	713.1.238.1A	Spacer		1
14	748.4.037.1AB	Nut		1
15	771.1.016.1A	Screw		1
16	750.1.117.1A	Special nut		1
17	872.1.042.1A	L.H. cap		1

NOTES NO.	CODE NO.	DESCRIPTION	VALIDITY	Q.TY 
-----------	----------	-------------	----------	--


DRAWING 034

AIR INTAKE AND OIL VENT



DRAWING 034

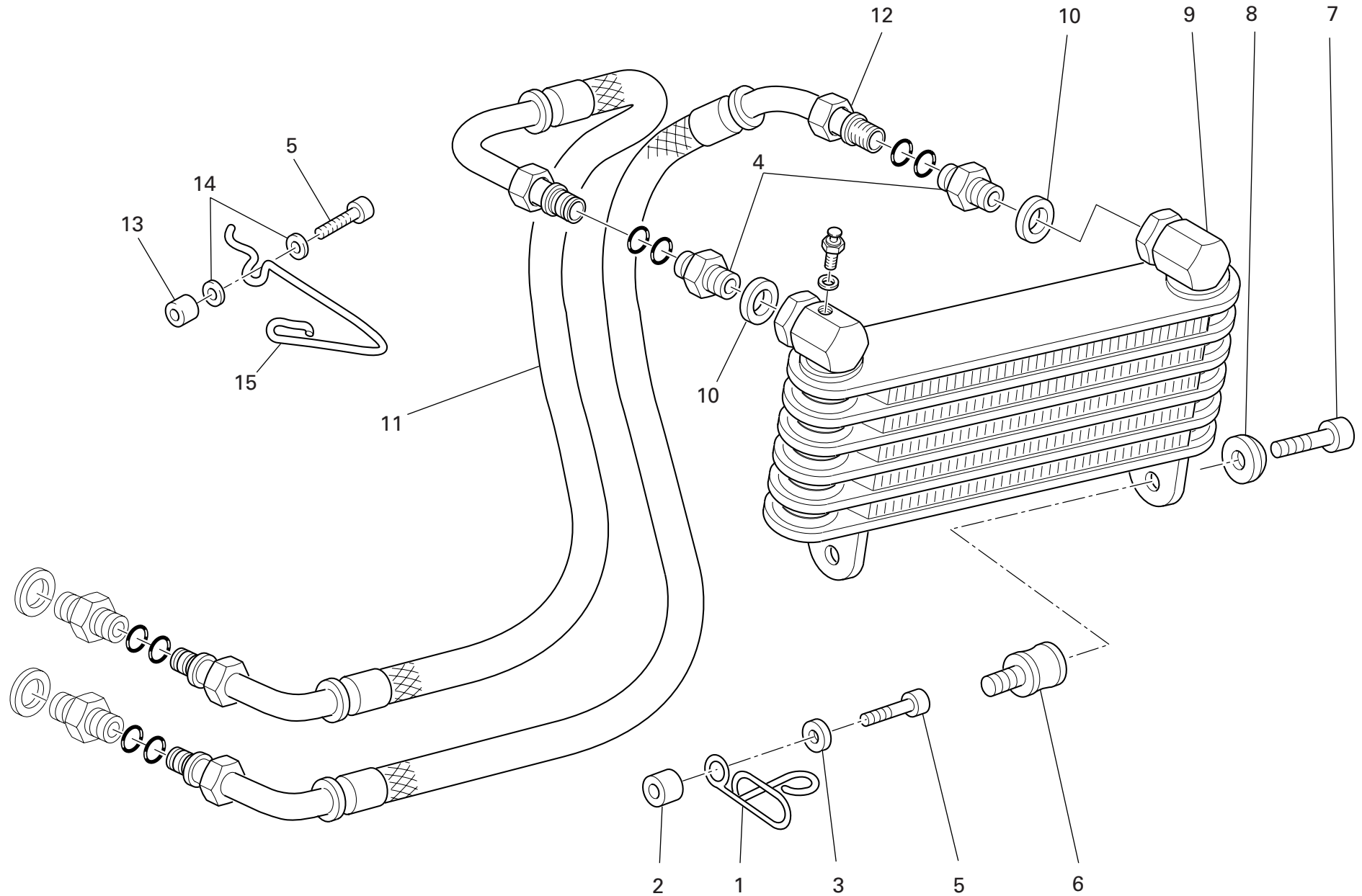
AIR INTAKE AND OIL VENT

NOTES NO.	CODE NO.	DESCRIPTION	VALIDITY	Q.TY 
1	877.2.046.1A	Tube		1
2	442.1.129.1B	Air filter box		1
3	246.1.089.1A	Filter case cover		1
4	772.1.045.1A	Screw		6
5	426.1.025.1A	Filter element		1
6	876.1.093.1A	Breather pipe		1
7	741.4.002.1A	Hose guide		1
8	821.1.075.1A	Pin		2
9	764.1.090.1A	Rubber pad		3
10	716.1.022.1B	Spacer		1
11	772.5.031.1B	Screw		1
12	779.1.335.1A	Pressure pick-up point		1


NOTES NO.	CODE NO.	DESCRIPTION	VALIDITY	Q.TY 
-----------	----------	-------------	----------	--

DRAWING 035

OIL COOLER



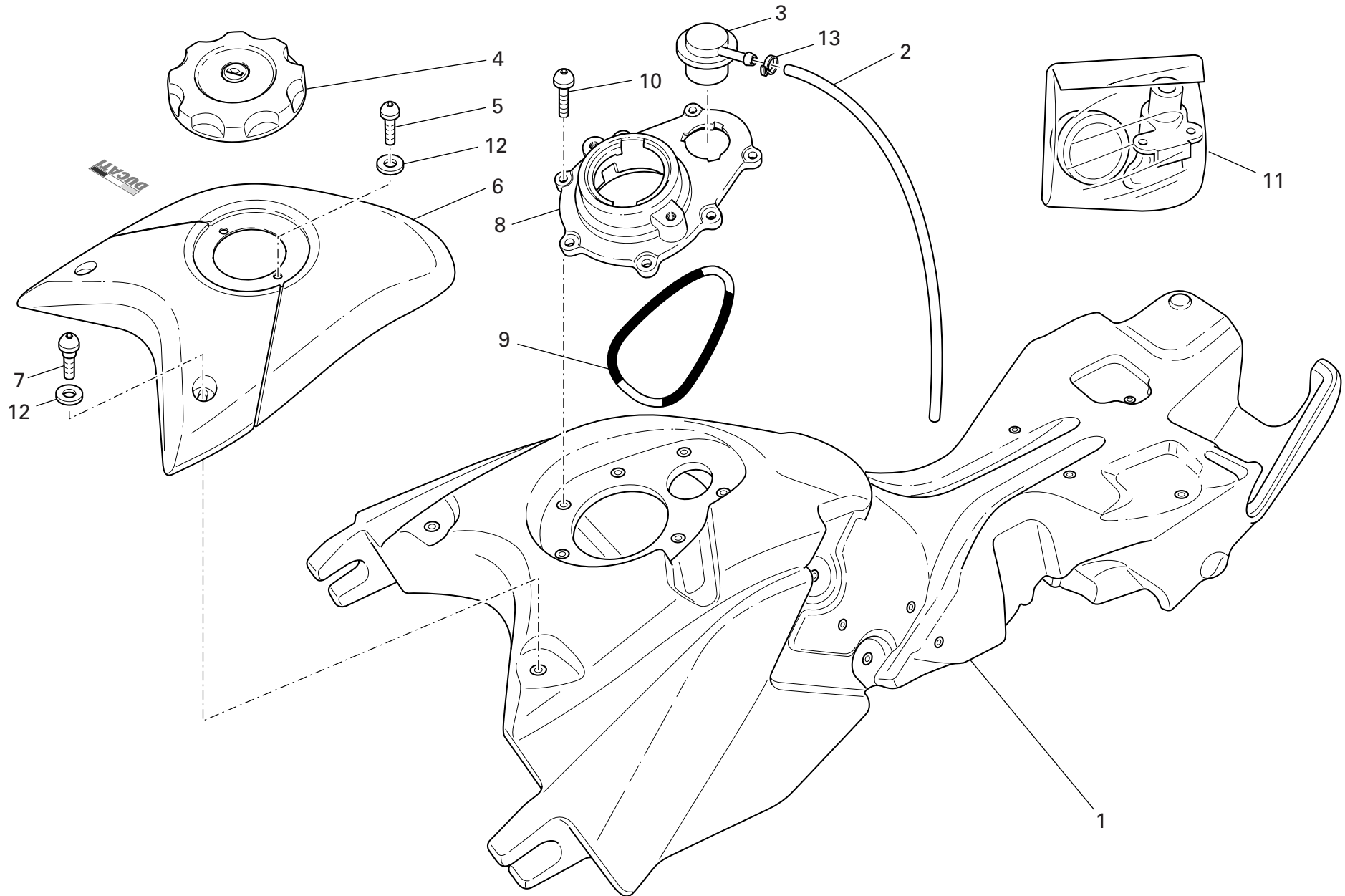
DRAWING 035 OIL COOLER

NOTES NO.	CODE NO.	DESCRIPTION	VALIDITY	Q.TY 
1	829.1.109.1B	Ring		1
2	713.1.365.1A	Spacer		1
3	852.5.028.1A	Washer		1
4	815.1.022.1A	Nipple		2
5	771.5.071.8B	Screw		3
6	700.1.011.1B	Vibration damper		2
7	779.5.004.1B	Screw		2
8	841.1.001.1C	Retainer		2
9	548.4.080.1A	Oil cooler		1
10	420.2.006.4A	Aluminium gasket		2
11	875.1.136.1A	Oil delivery pipe		1
12	875.1.052.1A	Oil return pipe		1
13	713.1.241.1A	Spacer		2
14	852.1.176.1A	Washer		4
15	758.1.025.1A	Hose guide		2

NOTES NO.	CODE NO.	DESCRIPTION	VALIDITY	Q.TY 
-----------	----------	-------------	----------	--


DRAWING 036

FUEL TANK



DRAWING 036

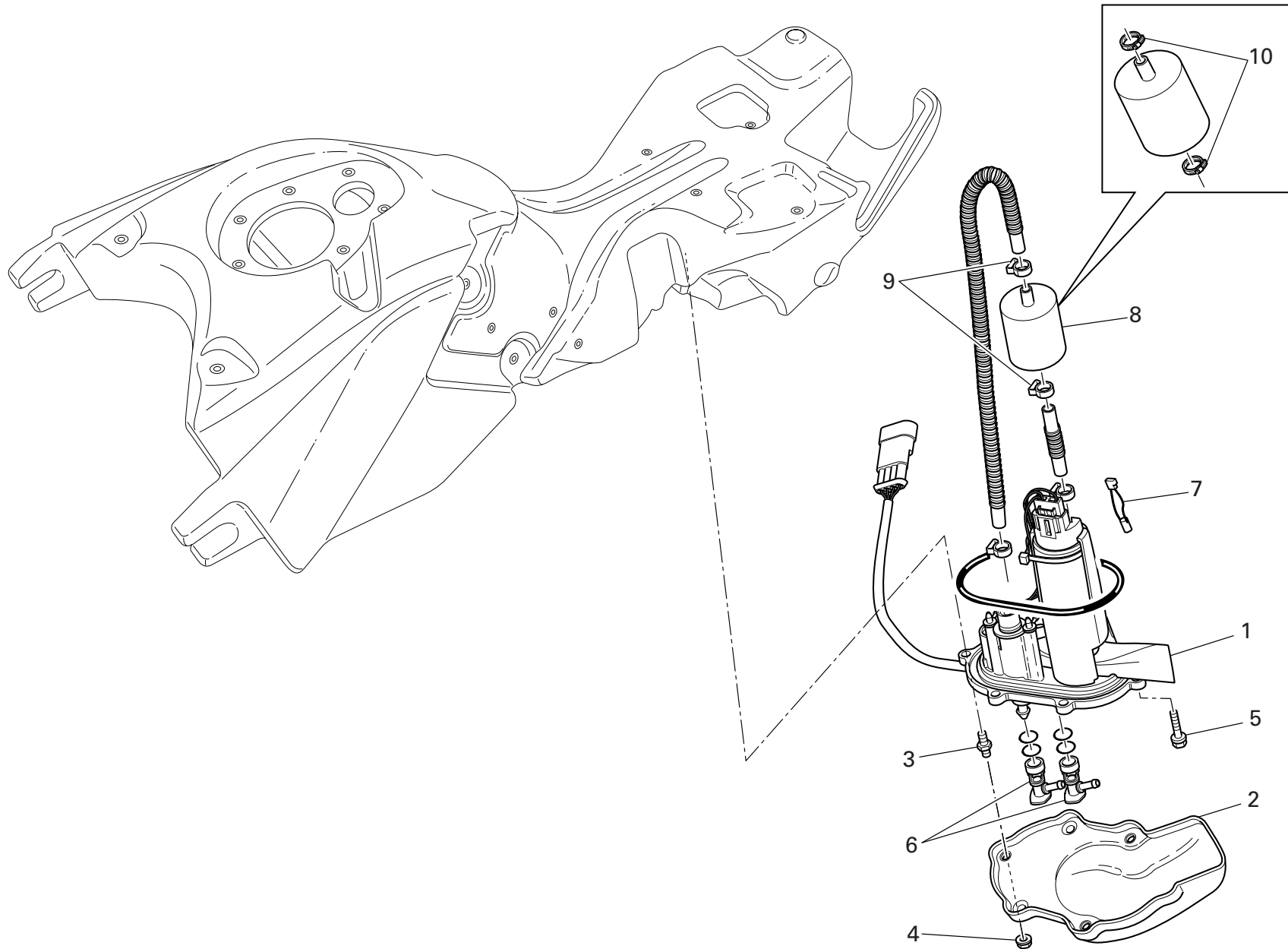
FUEL TANK

NOTES NO.	CODE NO.	DESCRIPTION	VALIDITY	Q.TY 
1	586.3.170.1B	Tank		1
2	935.1.007.1A	Breather pipe		1
3	593.4.035.1A	Breather valve		1
4	895.2.018.1A	Tank cap		1
5	775.1.042.1A	Screw		2
6	480.1.254.1A	Cover		1
7	779.1.290.1A	Screw		2
8	668.1.040.1A	Filler		1
9	886.4.130.1A	O-ring		1
10	775.1.004.1A	Screw		7
11	598.2.059.1B	Key-operated switch		1
12	856.1.128.1A	Washer		4
13	741.4.063.1A	Hose guide		1

NOTES NO.	CODE NO.	DESCRIPTION	VALIDITY	Q.TY 
-----------	----------	-------------	----------	--


DRAWING 037

FUEL SYSTEM



DRAWING 037

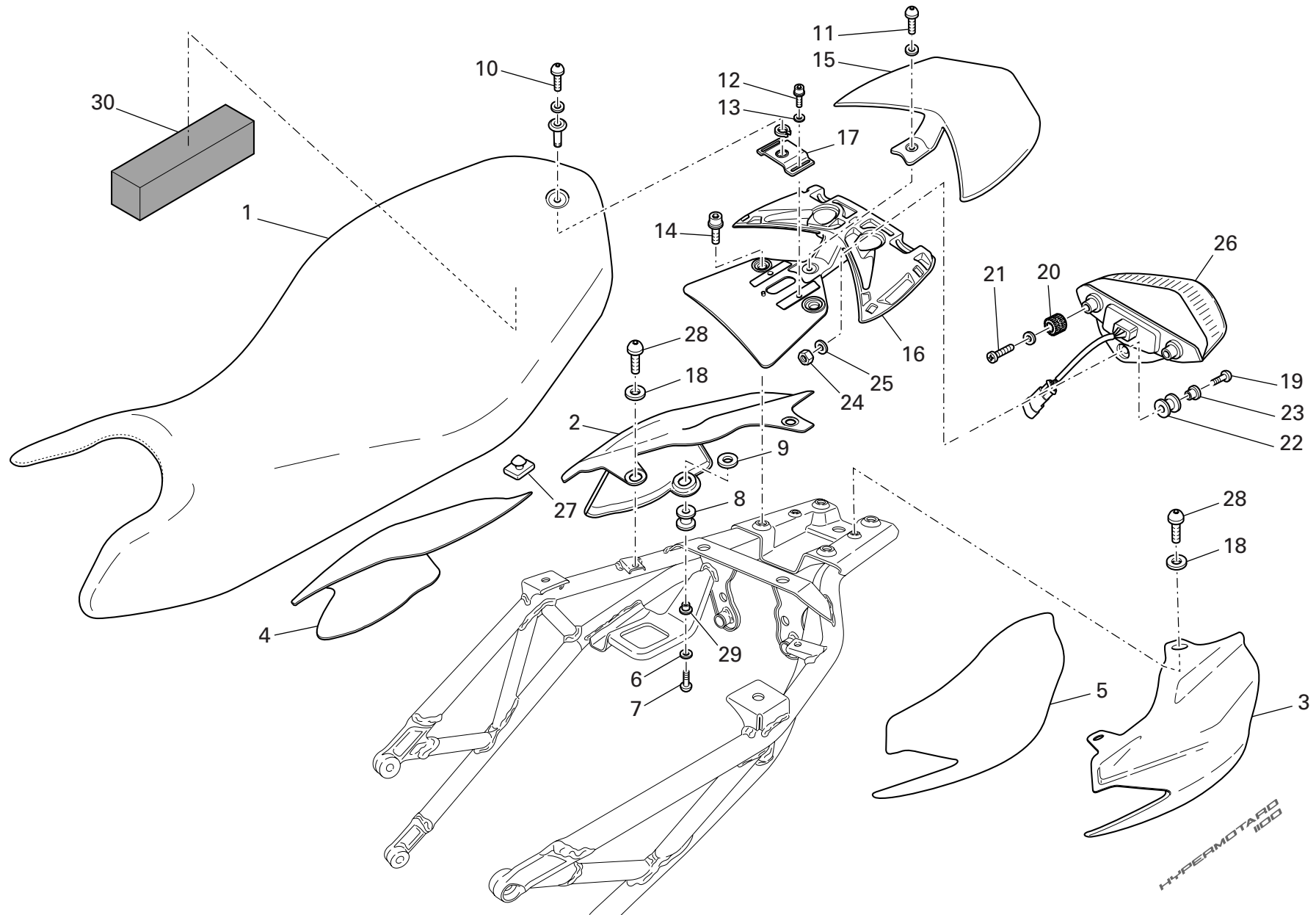
FUEL SYSTEM

NOTES NO.	CODE NO.	DESCRIPTION	VALIDITY	Q.TY 
1	160.2.370.1A	Flange		1
2	460.1.272.1A	Protection		1
3	779.1.351.1A	Special screw		3
4	750.5.006.1A	Nut		3
5	771.5.641.8B	Screw		3
6	814.4.010.1A	Quick-coupling union		2
7	552.4.048.1A	Thermistor		1
8	425.4.004.1B	Fuel filter		1
9	741.4.158.1A	Clamp		2
10	699.2.345.1A	Clamps kit		2

NOTES NO.	CODE NO.	DESCRIPTION	VALIDITY	Q.TY 
-----------	----------	-------------	----------	--


DRAWING 038


SEAT - REAR LIGHT



DRAWING 038

SEAT - REAR LIGHT

NOTES NO.	CODE NO.	DESCRIPTION	VALIDITY	Q.TY 
1	595.2.090.1A	Seat		1
2	482.1.150.1A	Body panel (R.H.)		1
3	482.1.151.1A	Body panel (L.H.)		1
4	460.1.284.1A	Thermal protection (R.H.)		1
5	460.1.285.1A	Thermal protection (L.H.)		1
6	852.1.167.1A	Washer		2
7	775.5.018.1A	Screw		2
8	764.1.069.1A	Rubber pad		2
9	852.1.148.1A	Washer		2
10	775.5.019.1A	Screw		1
11	775.5.005.1A	Screw		1
12	771.5.641.8B	Screw		2
13	852.5.030.1A	Washer		2
14	771.5.725.8B	Screw		4
15	483.1.060.1AA	Cover		1
16	806.1.022.1A	Handle		1
17	829.1.950.1A	Plate		1
18	856.1.128.1A	Washer		4
19	775.1.011.1B	Screw		1
20	764.1.024.1A	Vibration damper pad		2
21	774.4.006.1A	Screw		2
22	764.1.029.1A	Rubber pad		1
23	716.1.402.1A	Spacer		1
24	749.5.002.1B	Nut		1
25	852.4.013.1A	Washer		1
26	525.1.036.1A	Tail lamp		1
27	866.1.061.1A	Rubber pad		4

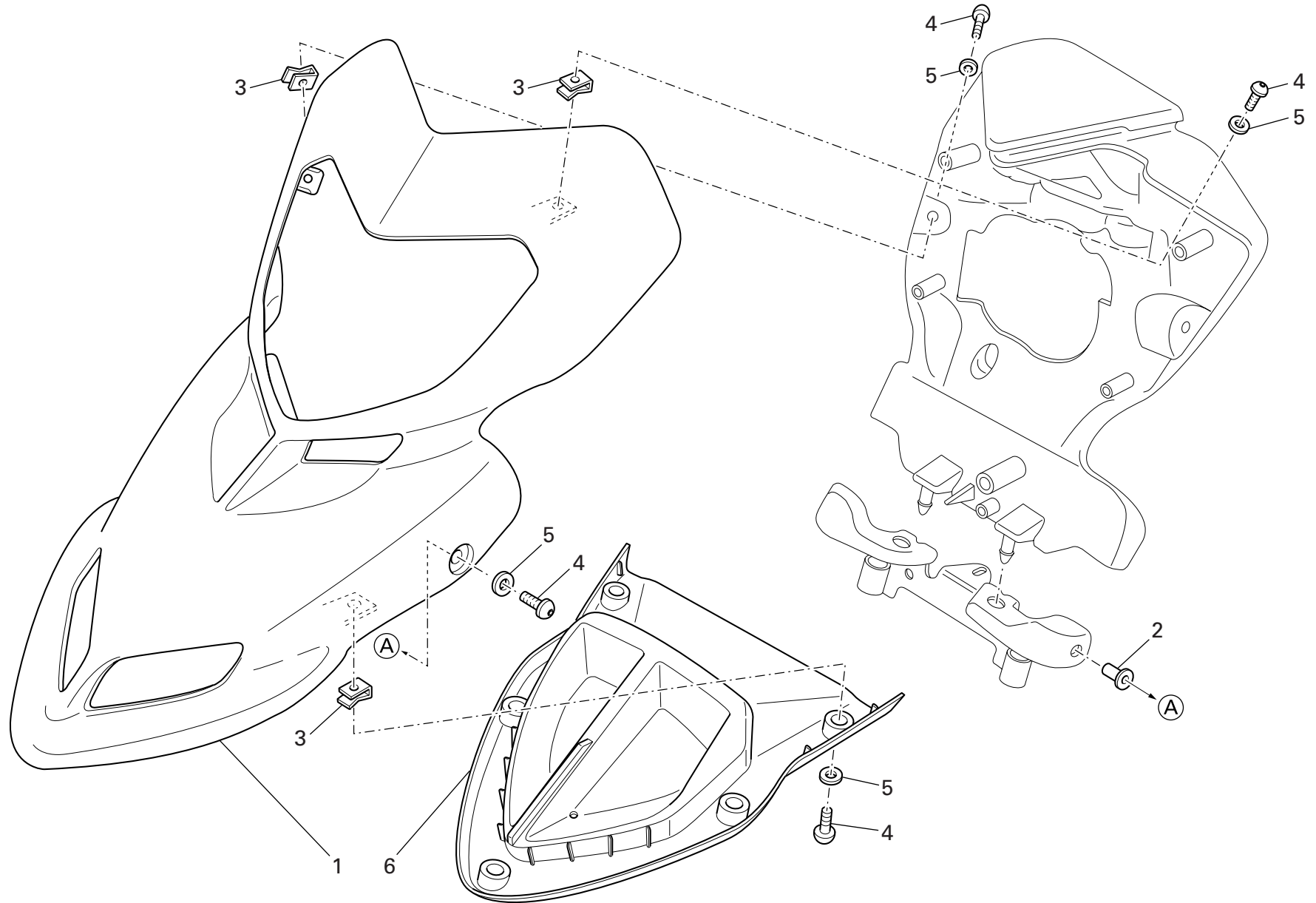
NOTES NO.	CODE NO.	DESCRIPTION	VALIDITY	Q.TY 
28	779.1.487.1A	Screw		4
29	716.1.112.1A	Spacer		2
30	866.1.090.1A	Pad		1

CATALOGUE No: 915.1.258.1B
ISSUED: 03 - 07

CATALOGUE No: 915.1.258.1B
ISSUED: 03 - 07


DRAWING 039

HEADLIGHT FAIRING



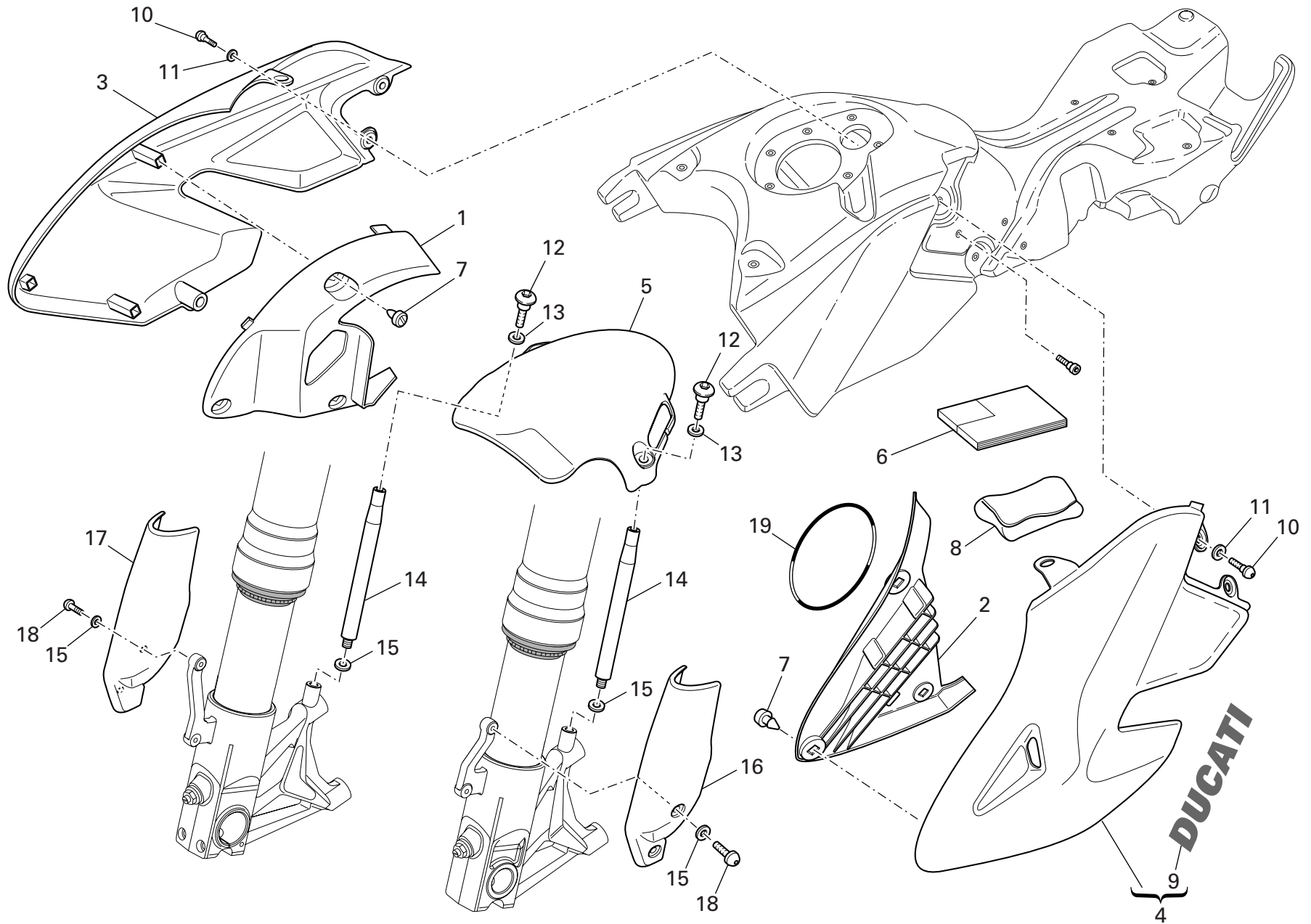
DRAWING 039

HEADLIGHT FAIRING


NOTES NO.	CODE NO.	DESCRIPTION	VALIDITY	Q.TY 
1	481.1.045.1AA	Headlight fairing		1
2	850.4.082.1A	Insert		2
3	850.4.103.1A	Quik fastening		9
4	779.1.487.1A	Screw		11
5	856.1.128.1A	Washer		11
6	564.1.071.1A	Mudguard		1

NOTES NO.	CODE NO.	DESCRIPTION	VALIDITY	Q.TY 
-----------	----------	-------------	----------	--

DRAWING 039a FAIRING



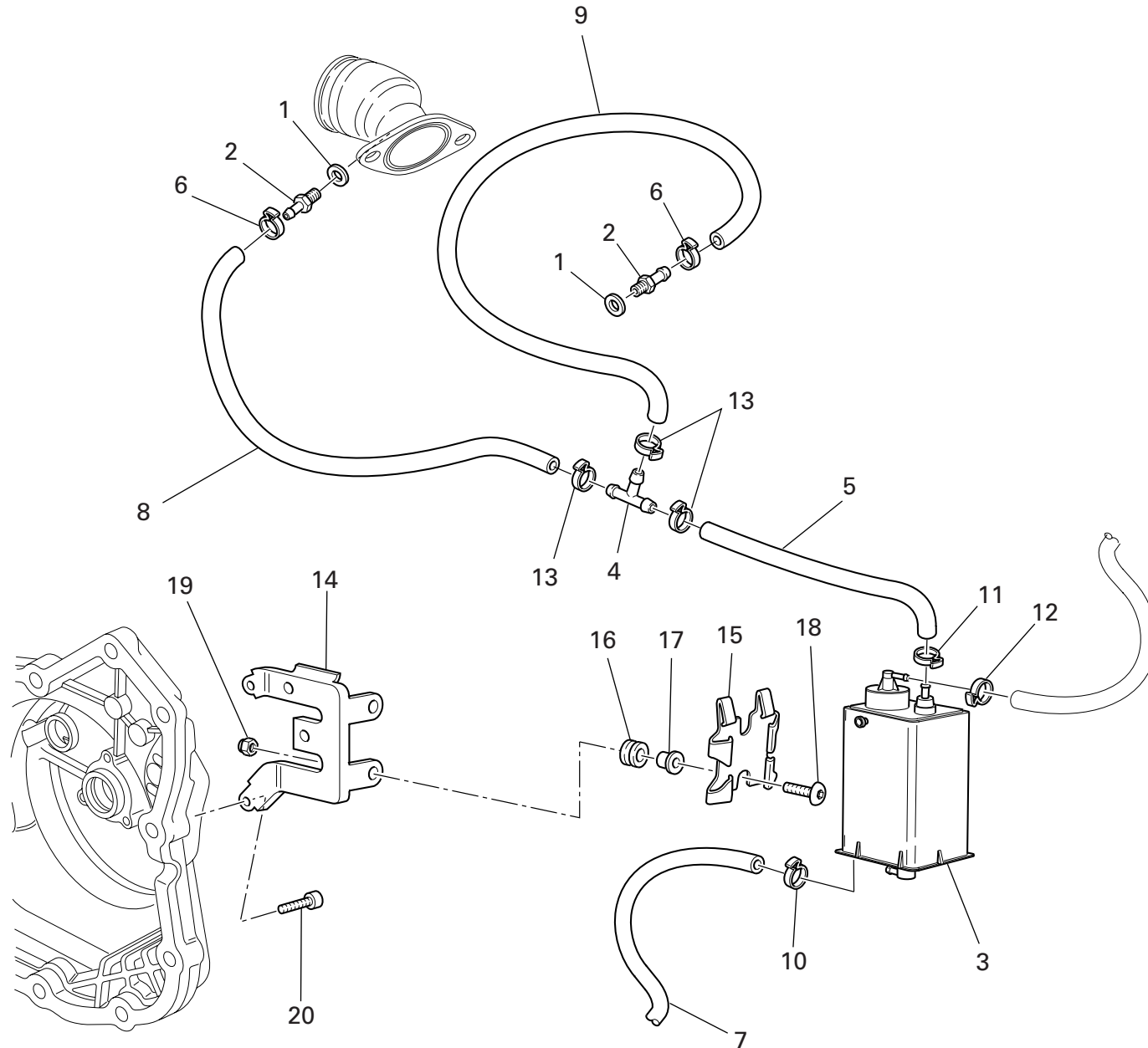
DRAWING 039a FAIRING

NOTES NO.	CODE NO.	DESCRIPTION	VALIDITY	Q.TY 
1	480.1.252.1A	Panel (R.H.)		1
2	480.1.253.1A	Panel (L.H.)		1
3	480.1.250.1AA	Fairing (R.H.)		1
4	480.1.251.1AA	Fairing (L.H.)		1
5	564.1.070.1A	Mudguard (front)		1
6	913.7.127.1B	Owner's manual		1
7	850.4.110.1A	Quik fastening		6
8	697.2.021.1A	Tool bag		1
9	436.1.148.1A	Sticker "DUCATI"		2
10	779.1.487.1A	Screw		6
11	856.1.128.1A	Washer		6
12	779.1.439.2A	Screw		2
13	852.1.176.1A	Washer		2
14	829.1.745.1A	Holder		2
15	856.1.127.1A	Washer		6
16	460.1.273.1AA	Protection (L.H.)		1
17	460.1.274.1AA	Protection (R.H.)		1
18	775.1.008.1B	Screw		4
19	759.1.021.1A	Rubber		1

NOTES NO.	CODE NO.	DESCRIPTION	VALIDITY	Q.TY 
-----------	----------	-------------	----------	--


DRAWING 040

FUEL INFEED



DRAWING 040

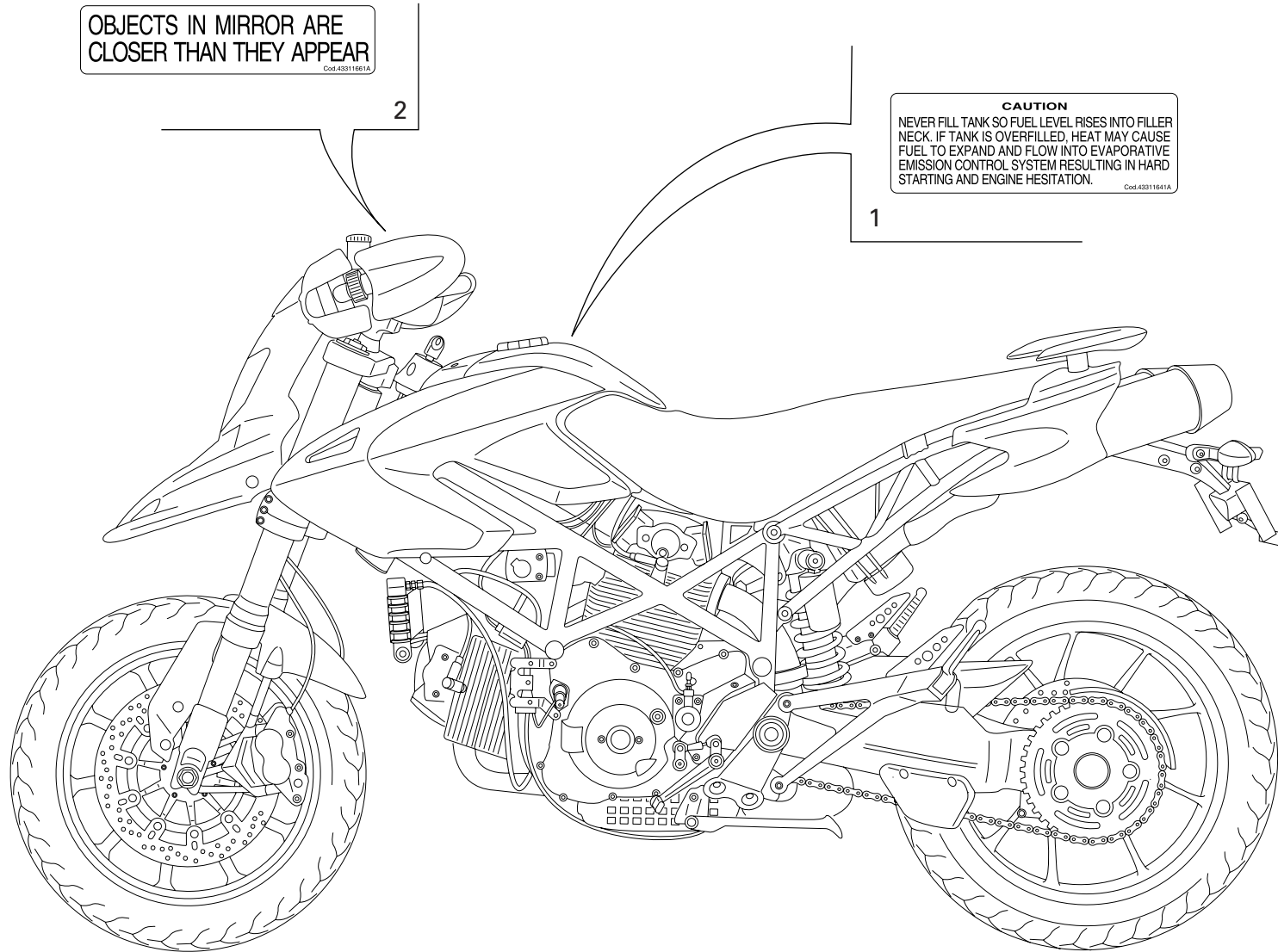
FUEL INFEED

NOTES NO.	CODE NO.	DESCRIPTION	VALIDITY	Q.TY 
1	0250.70.223	Aluminium gasket		2
2	814.1.180.1A	Union		2
3	426.1.007.1B	CANISTER filter		1
4	0361.98.850	Shunt valve		1
5	590.1.250.1A	Union/filter pipe		1
6	741.4.043.1A	Hose guide		2
7	590.1.141.1A	Tube		1
8	590.1.213.1A	Tube		1
9	590.1.112.1A	Fuel pipe		1
10	741.4.057.1A	Hose guide		1
11	741.4.058.1A	Hose guide		1
12	741.4.063.1A	Hose guide		1
13	741.4.059.1A	Hose guide		3
14	830.1.292.2A	Bracket		1
15	827.1.157.1A	Plate		1
16	764.1.029.1A	Rubber pad		2
17	716.1.043.1B	Spacer		2
18	775.5.013.1A	Screw		2
19	748.1.036.1A	Nut		2
20	771.5.071.8B	Screw		2

NOTES NO.	CODE NO.	DESCRIPTION	VALIDITY	Q.TY 
-----------	----------	-------------	----------	--

DRAWING 041

MARKING PLATES



OBJECTS IN MIRROR ARE
CLOSER THAN THEY APPEAR

Cod.43311661A

2


CAUTION
NEVER FILL TANK SO FUEL LEVEL RISES INTO FILLER
NECK. IF TANK IS OVERFILLED, HEAT MAY CAUSE
FUEL TO EXPAND AND FLOW INTO EVAPORATIVE
EMISSION CONTROL SYSTEM RESULTING IN HARD
STARTING AND ENGINE HESITATION.

Cod.43311641A

1

DRAWING 041

MARKING PLATES

NOTES NO.	CODE NO.	DESCRIPTION	VALIDITY	Q.TY 
1	433.1.164.1A	Sticker		1
2	433.1.166.1A	Label		2

NOTES NO.	CODE NO.	DESCRIPTION	VALIDITY	Q.TY 
-----------	----------	-------------	----------	--

INDEX

CODE No.	Drwg.	POS. N.	CODE No.	Drwg.	POS. N.	CODE No.	Drwg.	POS. N.	CODE No.	Drwg.	POS. N.	CODE No.	Drwg.	POS. N.
0000.01199	029	29	0660.13.143	002	9	120.2.145.1A	007	8	172.1.009.1A	003	21	210.1.042.1A	015	6
0000.01199	031a	33	0660.13.165	002	25	120.2.146.1A	007	4	172.1.010.3A	003	20	211.1.040.1A	014	21
0000.61078	027	12	0660.16.145	004	21	121.1.127.1A	007	3	172.1.011.3A	003	23	211.1.040.1A	015	7
0000.66181	028	15	0660.47.040	006	13	121.2.045.1A	007	1	172.1.218.2A	003	18	220.3.208.3A	009	16
0124.40.060	008	12	0665.49.680	005	8	122.2.144.1A	007	9	172.1.219.2A	003	24	225.2.212.1A	010	1
0250.70.223	040	1	0670.16.145	003	7	137.2.003.4B	016	7	173.1.022.1A	012	14	235.2.037.1AD	013	12
0251.47.054	003	1	0670.16.150	003	3	146.2.091.1A	006	1	174.1.038.1A	009	12	240.2.031.1AB	015	24
0272.91.090	002	8	0670.16.155	003	19	147.1.026.1A	008	9	174.2.038.1A	009	1	240.2.039.2A	014	10
0361.98.850	040	4	0670.16.170	003	26	148.1.284.2A	013	16	176.1.020.1A	012	10	240.2.039.2A	015	12
0370.49.250	010	22	0670.49.310	009	26	148.1.285.2A	013	9	180.1.001.1A	002	11	242.2.077.1AC	011	19
0370.72.020	027	8	0670.92.190	014	8	149.1.004.1A	003	2	180.1.002.1A	002	12	243.1.097.1AD	005	1
0370.72.020	028	12	0670.92.190	015	8	149.1.061.1A	003	25	180.1.008.1A	002	24	243.2.115.1AC	005	6
0370.84.005	017	4	0755.29.025	006	15	150.2.063.2A	003	28	182.2.026.3A	002	18	245.1.030.1A	013	5
0374.37.190	023	20	0755.29.025	008	5	150.2.072.2A	003	27	182.2.028.1A	002	18	245.1.031.1A	013	6
0375.92.210	014	13	0759.49.280	009	15	158.2.012.1A	006	5	184.1.005.1A	029	10	245.1.058.2AB	008	1
0375.92.210	015	16	0765.92.185	014	8	160.1.021.1C	025	5	187.1.002.1A	027	20	245.1.076.2A	008	4
0400.09.050	002	21	0765.92.185	015	8	160.1.097.1A	012	13	187.1.002.1A	028	22	246.1.060.2A	030	18
0400.29.125	002	34	0765.92.190	014	8	160.1.105.1A	013	19	190.2.011.1A	004	8	246.1.089.1A	034	3
0400.29.126	002	34	0765.92.190	015	8	160.2.370.1A	037	1	194.2.015.2A	004	12	247.1.203.1A	011	4
051.2.001.1A	001	10	0765.92.205	002	21	162.1.001.1B	004	7	195.4.003.1A	004	22	247.1.210.1AC	011	9
0619.92.180	014	8	0765.92.205	014	8	170.2.020.1B	004	17	196.1.001.2B	004	10	247.1.262.1A	031	5
0619.92.180	015	8	0765.92.205	015	8	171.2.075.1B	008	10	198.1.029.1A	004	13	247.1.262.1A	031a	27
0647.70.010	014	12	0799.13.110	002	27	172.1.002.1B	003	10	208.1.012.4A	014	14	247.1.313.1A	031	20
0647.70.010	015	20	112.1.012.1AB	006	8	172.1.003.3A	003	8	208.1.012.4A	015	14	247.1.313.1A	031a	37
0659.16.555	004	1	112.1.012.1AC	006	8	172.1.004.3A	003	5	209.1.041.1A	014	16	254.4.001.2A	005	4
0660.13.060	002	19	117.1.067.1A	029	8	172.1.005.3A	003	9	209.1.041.1A	015	18	255.1.023.2A	008	15
0660.13.070	002	13	117.2.006.1A	004	29	172.1.008.1A	003	22	210.1.042.1A	014	22	255.1.024.2A	013	3

CATALOGUE No: 915.1.258.1B
ISSUED: 03 - 07

CATALOGUE No: 915.1.258.1B
ISSUED: 03 - 07

INDEX

CODE No.	Drwg.	POS. N.	CODE No.	Drwg.	POS. N.	CODE No.	Drwg.	POS. N.	CODE No.	Drwg.	POS. N.	CODE No.	Drwg.	POS. N.
264.4.014.3B	011	1	304.1.042.1B	014	2	349.2.044.1A	023	3	425.4.004.1B	037	8	460.1.275.1A	017	30
270.4.010.1A	012	1	304.1.042.1B	015	4	349.2.045.1A	023	4	426.1.007.1B	040	3	460.1.284.1A	038	4
276.1.025.1C	012	16	304.1.042.1BB	014	2	349.2.046.1A	023	18	426.1.025.1A	034	5	460.1.285.1A	038	5
280.4.015.1A	016	10	304.1.042.1BB	015	4	360.1.090.1A	026	6	433.1.164.1A	041	1	463.2.010.9A	014	9
282.4.082.1A	016	1	304.1.042.1BC	014	2	360.1.091.1A	026	2	433.1.166.1A	041	2	463.2.010.9A	015	11
283.4.011.1A	016	6	304.1.042.1BC	015	4	360.1.092.1A	026	1	433.1.312.1A	032	20	463.2.026.1A	014	20
286.2.040.1A	019	9	304.1.043.1B	014	3	365.2.076.1A	033	1	436.1.148.1A	039a	9	463.2.026.1A	015	34
286.4.156.1C	020	12	304.1.043.1B	015	5	369.1.011.1A	032	9	442.1.129.1B	034	2	463.2.053.7A	004	15
287.4.024.1B	016	5	304.1.043.1BB	014	3	370.1.033.2B	032	1	444.4.003.4A	009	20	464.1.037.1A	031	1
301.2.232.1A	015	1	304.1.043.1BB	015	5	372.2.016.1A	033	8	447.1.048.1A	032	14	464.1.038.1A	031a	32
301.2.233.1A	014	1	304.1.043.1BC	014	3	372.2.052.1A	033	2	447.1.049.1A	032	16	464.1.050.1A	031	9
303.1.040.1B	014	5	304.1.043.1BC	015	5	380.4.010.1C	020	5	447.1.050.1A	032	18	464.1.051.1A	031a	23
303.1.040.1B	015	2	341.1.065.1A	026	20	389.4.019.1A	019	12	447.1.051.1A	032	17	470.1.195.1B	030	7
303.1.040.1BA	014	5	342.2.050.1A	026	9	389.4.020.1A	019	12	449.1.045.1A	003	12	470.1.200.1BA	030	1
303.1.040.1BA	015	2	344.2.020.1A	023	1	389.4.021.1A	019	12	451.2.020.1A	008	7	480.1.250.1AA	039a	3
303.1.040.1BB	014	5	345.2.020.1A	023	2	389.4.022.1A	019	12	451.2.021.1A	008	6	480.1.251.1AA	039a	4
303.1.040.1BB	015	2	348.2.022.1A	023	15	389.4.023.1A	019	19	455.1.015.1B	029	37	480.1.252.1A	039a	1
303.1.040.1BC	014	5	348.2.023.1A	023	16	389.4.024.1A	019	12	455.2.003.1A	002	4	480.1.253.1A	039a	2
303.1.040.1BC	015	2	348.2.024.1A	023	11	390.4.021.1A	022	22	456.1.038.1A	031a	20	480.1.254.1A	036	6
303.1.041.1C	014	4	349.1.001.1A	023	13	390.4.024.1A	021	16	456.2.035.2A	031a	12	481.1.045.1AA	039	1
303.1.041.1C	015	3	349.1.215.1A	023	17	390.4.025.1A	019	11	457.2.022.2A	029	24	482.1.150.1A	038	2
303.1.041.1CA	014	4	349.1.216.1A	023	5	390.4.026.1A	021	15	460.1.153.1A	032	22	482.1.151.1A	038	3
303.1.041.1CA	015	3	349.1.217.1A	023	6	390.4.027.1A	021	14	460.1.270.1A	026	26	483.1.060.1AA	038	15
303.1.041.1CB	014	4	349.1.218.1A	023	7	395.2.013.1C	019	1	460.1.271.1A	026	25	492.4.076.1A	025	20
303.1.041.1CB	015	3	349.1.219.1A	023	8	397.4.005.1A	019	3	460.1.272.1A	037	2	492.4.092.1A	024	5
303.1.041.1CC	014	4	349.1.220.1A	023	9	406.1.058.2A	021	1	460.1.273.1AA	039a	16	494.1.097.1A	025	10
303.1.041.1CC	015	3	349.2.034.1A	023	10	420.2.006.4A	035	10	460.1.274.1AA	039a	17	494.2.104.1A	025	19

INDEX

CODE No.	Drwg.	POS. N.	CODE No.	Drwg.	POS. N.	CODE No.	Drwg.	POS. N.	CODE No.	Drwg.	POS. N.	CODE No.	Drwg.	POS. N.
497.2.001.2A	024	3	539.1.021.1B	002	6	564.1.070.1A	039a	5	611.4.030.1AB	029	14	650.1.007.1A	026	15
497.2.003.1A	024	16	539.1.023.2A	018	5	564.1.071.1A	039	6	612.4.005.1A	027	4	651.1.007.1A	026	14
501.2.116.1AB	024	10	539.4.003.1B	029	32	570.1.258.1A	017	1	612.4.005.1A	028	21	654.4.010.1A	026	22
502.2.116.1AB	024	7	539.4.030.2A	005	16	570.2.265.1A	017	11	612.4.008.1A	029	19	656.2.071.1A	026	30
510.1.544.1A	019	2	539.4.036.1A	027	6	571.1.258.1A	017	2	612.4.014.1A	028	24	668.1.040.1A	036	8
514.1.032.1A	001c	9	539.4.047.1A	028	5	572.2.145.1A	017	10	612.4.016.1A	029	17	669.1.001.1E	014	18
514.1.033.1A	001c	13	540.4.026.1A	020	14	573.1.105.1A	017	19	612.4.017.1A	028	30	669.1.001.1E	015	15
514.1.035.1A	001c	10	541.4.007.1A	019	18	574.1.105.1A	017	13	613.4.038.1A	029	16	670.4.035.1A	020	2
514.1.036.1A	001c	10	544.1.011.1A	020	18	576.1.060.1A	017	18	613.4.041.1A	028	8	671.1.024.1A	020	1
514.1.037.1A	001c	6	548.4.080.1A	035	9	585.4.001.1A	029	4	618.4.082.1A	028	19	671.1.027.1A	020	9
514.1.038.1A	001c	14	552.1.037.1A	001c	4	586.3.170.1B	036	1	619.4.039.1A	029	13	671.1.028.1A	020	8
514.1.053.1A	019	4	552.1.038.1A	001c	5	590.1.112.1A	040	9	624.4.050.1A	028	1	671.1.031.1A	020	3
514.1.056.1A	019	5	552.1.039.1A	001c	19	590.1.141.1A	040	7	625.4.019.1A	029	1	672.1.034.1A	015	25
516.4.004.1B	020	10	552.1.040.1A	001c	11	590.1.189.1A	001c	1	626.4.013.1A	029	33	676.2.064.1A	025	25
518.4.004.2B	030	15	552.1.043.1A	029	21	590.1.190.1A	001c	2	626.4.031.1A	027	21	676.4.064.1A	025	26
520.1.016.1A	021	12	552.1.111.1A	017	20	590.1.213.1A	040	8	626.4.031.1A	028	31	677.4.002.1A	001a	3
523.1.030.1A	026	28	552.4.013.1A	015	32	590.1.250.1A	040	5	626.4.044.1A	028	20	680.1.001.1B	009	27
523.1.031.1A	026	27	552.4.031.2B	021	6	590.1.301.1A	016	8	626.4.055.1A	027	2	697.2.021.1A	039a	8
525.1.019.1A	022	16	552.4.048.1A	037	7	590.1.302.1A	016	9	626.4.056.1A	027	5	698.1.033.1A	001c	15
525.1.030.1A	022	17	552.4.132.1A	010	34	593.1.003.1B	010	33	626.4.056.1A	028	7	699.2.345.1A	037	10
525.1.036.1A	038	26	556.1.018.1D	018	9	593.1.018.1A	009	5	626.4.058.1A	028	2	700.1.011.1B	035	6
529.1.001.1A	023	19	556.1.036.1A	018	3	593.4.030.1A	017	9	630.4.040.1A	027	1	700.1.017.1E	025	9
529.1.010.1A	022	20	556.2.037.1B	018	1	593.4.035.1A	036	3	631.4.008.1A	027	3	700.1.036.1A	012	19
530.1.014.1A	026	24	561.1.024.1A	022	18	595.2.090.1A	038	1	631.4.008.1A	028	6	700.1.038.1C	021	2
530.1.015.1A	026	23	561.1.041.1A	022	6	598.2.059.1B	036	11	631.4.008.1A	029	12	700.1.040.1A	007	12
530.1.016.1A	022	4	561.1.042.1A	022	7	610.4.096.1A	028	9	631.4.016.1A	029	18	700.1.040.1A	014	25
530.1.017.1A	022	3	564.1.045.1A	025	22	610.4.097.1A	028	26	632.1.043.1A	027	18	700.1.040.1A	015	23

INDEX

CODE No.	Drwg.	POS. N.	CODE No.	Drwg.	POS. N.	CODE No.	Drwg.	POS. N.	CODE No.	Drwg.	POS. N.	CODE No.	Drwg.	POS. N.
700.1.049.1A	031	13	710.1.025.1A	033	4	713.1.187.1A	032	3	732.1.023.1A	017	12	747.5.005.1B	029	9
700.1.049.1A	031a	2	710.1.107.1A	026	13	713.1.192.1A	029	34	73500.1542	002	15	747.5.007.1A	026	8
700.1.054.1A	026	19	710.1.109.1A	032	5	713.1.196.1A	024	17	73500.1747	015	26	748.1.014.1C	024	1
701.4.005.1A	003	4	711.1.007.1A	006	6	713.1.197.3A	024	2	73503.3380	010	18	748.1.036.1A	017	21
701.4.006.1A	033	10	711.1.067.1A	025	7	713.1.238.1A	033	13	73503.3380	011	2	748.1.036.1A	025	23
701.4.008.1A	012	11	711.1.095.1A	010	32	713.1.241.1A	035	13	737.4.021.1A	008	19	748.1.036.1A	040	19
701.4.017.1A	032	6	711.1.126.1A	007	11	713.1.266.1A	003	15	741.4.002.1A	034	7	748.1.039.1A	016	2
702.4.004.1A	026	18	711.1.128.1A	010	3	713.1.352.1A	014	27	741.4.038.1A	029	35	748.1.040.1A	002	23
702.4.013.1A	010	26	711.1.130.1A	026	31	713.1.352.1A	015	35	741.4.042.1A	016	3	748.1.044.1A	030	8
702.4.017.1A	004	20	711.1.160.1A	005	13	713.1.365.1A	011	12	741.4.043.1A	027	14	748.1.050.1A	010	8
702.4.018.1A	012	15	711.1.160.1A	011	18	713.1.365.1A	035	2	741.4.043.1A	028	16	748.4.002.1A	030	3
702.4.033.1A	010	9	711.1.172.1A	007	7	713.1.384.1A	022	14	741.4.043.1A	029	2	748.4.024.1AB	025	4
702.4.092.1A	010	25	711.1.181.1A	020	6	714.1.027.1A	024	15	741.4.043.1A	040	6	748.4.024.1AB	026	7
702.4.093.1A	010	21	711.1.250.1A	021	13	714.1.041.1A	025	12	741.4.057.1A	040	10	748.4.033.1A	017	3
702.5.008.1A	010	20	711.1.253.1A	031	21	714.1.047.1A	024	9	741.4.058.1A	040	11	748.4.037.1AB	033	14
702.5.008.1A	011	3	711.1.253.1A	031a	35	715.1.005.1A	033	11	741.4.059.1A	040	13	748.4.100.1AB	022	21
702.5.016.1A	004	14	712.1.018.1A	025	8	716.1.022.1B	020	11	741.4.063.1A	036	13	749.4.002.1A	030	16
702.5.019.1A	010	12	712.1.029.1A	032	7	716.1.022.1B	034	10	741.4.063.1A	040	12	749.4.004.1A	031a	17
702.5.044.1A	003	30	712.1.031.1A	032	8	716.1.043.1B	040	17	741.4.146.1A	017	27	749.4.045.2A	018	10
702.5.045.1A	024	8	712.1.034.1A	029	23	716.1.073.2A	008	13	741.4.158.1A	037	9	749.5.001.1B	022	11
702.5.045.1A	032	2	712.1.034.1A	031a	8	716.1.099.1A	008	17	741.4.164.1A	017	26	749.5.002.1B	021	3
703.1.019.1A	015	30	713.1.012.1B	004	31	716.1.112.1A	038	29	741.4.167.1A	019	13	749.5.002.1B	038	24
703.1.044.1A	026	11	713.1.014.1E	003	11	716.1.145.1A	021	10	74172.1008	006	10	750.1.002.1B	004	25
703.5.006.2A	008	18	713.1.082.1A	017	22	716.1.402.1A	038	23	74172.1008	013	8	750.1.007.1A	003	29
703.5.006.2A	013	1	713.1.137.1A	015	27	72094.1616	010	10	74224.0570	004	24	750.1.012.2A	006	3
70610.8120	004	11	713.1.140.1A	010	14	72121.2106	006	4	74224.0570	006	7	750.1.018.1C	025	2
710.1.002.1A	004	23	713.1.157.1A	003	32	732.1.022.1A	017	24	747.5.003.1A	029	36	750.1.019.1B	024	13

CATALOGUE No: 915.1.258.1B
ISSUED: 03 - 07

CATALOGUE No: 915.1.258.1B
ISSUED: 03 - 07

INDEX

CODE No.	Drwg.	POS. N.	CODE No.	Drwg.	POS. N.	CODE No.	Drwg.	POS. N.	CODE No.	Drwg.	POS. N.	CODE No.	Drwg.	POS. N.
750.1.116.1A	032	10	764.1.075.1A	020	13	771.5.067.8B	011	13	771.5.667.8B	020	16	772.5.031.1B	022	5
750.1.117.1A	033	16	764.1.075.1A	021	8	771.5.069.8B	005	5	771.5.667.8B	031a	10	772.5.031.1B	029	20
750.1.121.1A	012	3	764.1.084.1A	022	15	771.5.069.8B	009	10	771.5.668.8B	029	28	772.5.031.1B	034	11
750.5.006.1A	037	4	764.1.090.1A	034	9	771.5.069.8B	011	6	771.5.668.8B	031a	21	772.5.032.1A	029	26
75113.2566	004	18	76402.0002	003	17	771.5.069.8B	012	7	771.5.673.8B	030	12	772.5.033.1A	017	25
756.2.006.2A	025	13	766.1.059.1A	010	6	771.5.071.8B	011	17	771.5.675.1B	020	19	772.5.033.1A	020	17
75794.1542	010	17	766.4.017.2A	013	17	771.5.071.8B	012	6	771.5.675.8B	020	15	772.5.037.1A	028	29
758.1.025.1A	035	15	766.4.018.1A	013	18	771.5.071.8B	035	5	771.5.675.8B	026	29	772.5.038.1A	017	14
758.4.016.1A	019	15	76835.1134	002	10	771.5.071.8B	040	20	771.5.723.8B	029	15	773.5.041.3B	026	32
759.1.008.1A	025	1	770.5.250.8B	010	15	771.5.072.8B	008	2	771.5.725.8B	026	5	773.5.065.8B	013	15
759.1.009.1A	024	12	771.1.016.1A	033	15	771.5.072.8B	010	4	771.5.725.8B	031	8	774.4.003.1A	021	7
759.1.021.1A	039a	19	771.1.026.1A	005	2	771.5.072.8B	023	14	771.5.725.8B	031a	24	774.4.004.1A	021	4
764.1.002.1A	014	6	771.1.026.3A	002	28	771.5.073.8B	011	16	771.5.725.8B	038	14	774.4.005.1A	022	24
764.1.002.1A	015	21	771.1.027.1A	005	3	771.5.078.8B	005	20	771.5.727.8B	026	21	774.4.006.1A	038	21
764.1.003.1B	004	6	771.1.027.1A	012	12	771.5.079.8B	005	21	771.5.729.8B	030	10	775.1.004.1A	036	10
764.1.011.2A	029	25	771.1.031.1A	033	12	771.5.080.8B	010	27	771.5.937.8B	033	7	775.1.008.1B	032	15
764.1.011.2A	031a	13	771.5.040.8B	011	21	771.5.123.8B	002	30	771.5.938.8B	033	5	775.1.008.1B	039a	18
764.1.024.1A	017	23	771.5.042.8B	020	4	771.5.129.8B	009	8	771.5.941.8B	026	4	775.1.011.1B	038	19
764.1.024.1A	038	20	771.5.043.8B	004	4	771.5.136.8B	010	24	772.1.004.2B	032	12	775.1.031.1B	031a	19
764.1.029.1A	038	22	771.5.049.8B	020	7	771.5.154.8B	018	2	772.1.010.3A	008	8	775.1.033.1B	025	24
764.1.029.1A	040	16	771.5.065.8B	004	28	771.5.266.8B	025	14	772.1.045.1A	031	6	775.1.036.1A	013	14
764.1.042.1A	017	15	771.5.065.8B	008	3	771.5.637.8B	019	6	772.1.045.1A	031a	26	775.1.038.1B	022	25
764.1.066.1A	031	12	771.5.066.8B	010	36	771.5.641.8B	037	5	772.1.045.1A	034	4	775.1.042.1A	036	5
764.1.066.1A	031a	3	771.5.066.8B	012	5	771.5.641.8B	038	12	772.1.050.1A	028	28	775.5.005.1A	038	11
764.1.068.1A	017	33	771.5.066.8B	013	10	771.5.665.8B	011	5	772.1.090.1A	017	8	775.5.013.1A	040	18
764.1.069.1A	021	5	771.5.066.8B	014	11	771.5.665.8B	022	2	772.5.029.1A	029	22	775.5.014.1A	019	16
764.1.069.1A	038	8	771.5.066.8B	015	13	771.5.666.8B	031a	22	772.5.029.1A	032	21	775.5.014.1A	022	10

CATALOGUE No: 915.1.258.1B
ISSUED: 03 - 07

CATALOGUE No: 915.1.258.1B
ISSUED: 03 - 07

INDEX

CODE No.	Drwg.	POS. N.	CODE No.	Drwg.	POS. N.	CODE No.	Drwg.	POS. N.	CODE No.	Drwg.	POS. N.	CODE No.	Drwg.	POS. N.
775.5.015.1A	022	9	779.1.237.1B	029	27	779.4.116.1A	022	13	799.1.247.2A	014	26	821.1.111.2A	014	15
775.5.016.1A	017	31	779.1.260.1A	017	17	779.5.004.1B	035	7	799.1.247.2A	015	36	821.1.111.2A	015	10
775.5.018.1A	038	7	779.1.290.1A	036	7	779.5.030.2A	013	4	799.1.252.1B	031	17	821.1.170.1A	031a	11
775.5.019.1A	038	10	779.1.305.1A	031	10	779.5.059.1A	027	10	799.1.252.1B	031a	31	821.1.279.1A	012	8
775.5.020.1A	030	21	779.1.305.1A	031a	5	779.5.059.1A	028	10	799.2.077.2A	009	14	824.1.072.1A	031a	4
775.5.021.1A	031	22	779.1.335.1A	034	12	780.1.007.1A	017	6	8000.56443	027	13	824.1.079.1A	031	7
775.5.021.1A	031a	34	779.1.341.1B	030	22	780.1.018.1A	009	6	8000.56443	028	18	824.1.080.1A	031a	25
775.5.022.1A	019	14	779.1.351.1A	037	3	780.2.047.1A	009	17	8000.70139	001a	8	824.2.071.1A	031	11
775.5.025.1A	026	36	779.1.366.1AB	027	16	780.5.001.1A	005	22	801.1.027.1A	016	4	825.1.035.1A	025	17
777.5.049.8B	011	10	779.1.366.1AB	029	7	786.1.086.1A	007	6	806.1.022.1A	038	16	826.1.009.1A	002	33
779.1.007.2A	006	9	779.1.397.1A	027	19	786.1.098.1A	007	10	808.1.114.1A	026	33	826.1.012.1A	010	11
779.1.026.2A	011	26	779.1.397.1A	028	23	787.1.008.1A	015	29	80N0.21507	031	15	827.1.115.1B	031	3
779.1.029.2A	010	2	779.1.399.1A	024	4	788.1.052.1A	005	7	80N0.21507	031a	29	827.1.115.1B	031a	30
779.1.039.1A	002	3	779.1.415.1A	028	3	788.1.054.2A	012	4	814.1.114.1A	001c	8	827.1.139.2B	018	8
779.1.092.1A	027	7	779.1.418.1A	031	18	790.1.017.1A	017	28	814.1.180.1A	040	2	827.1.157.1A	040	15
779.1.092.1A	028	13	779.1.418.1A	031a	14	791.2.043.1A	007	5	814.4.010.1A	037	6	827.1.279.1A	031a	18
779.1.099.1B	026	17	779.1.434.1A	010	30	799.1.025.1A	002	20	815.1.022.1A	010	31	827.1.311.1A	032	23
779.1.109.1A	006	2	779.1.439.2A	039a	12	799.1.049.1A	002	1	815.1.022.1A	035	4	827.1.445.1A	022	1
779.1.133.1A	014	24	779.1.487.1A	038	28	799.1.051.2A	006	14	815.1.028.1A	009	21	827.1.446.1A	019	7
779.1.133.1A	015	33	779.1.487.1A	039	4	799.1.055.1A	009	7	818.2.009.1A	004	3	827.1.447.1A	019	8
779.1.162.2A	009	24	779.1.487.1A	039a	10	799.1.061.1A	014	7	819.1.043.1A	024	11	827.1.454.1A	031	23
779.1.198.2A	009	23	779.1.511.1A	028	25	799.1.061.1A	015	9	819.2.064.1A	025	11	827.5.021.1A	031a	36
779.1.198.2A	011	22	779.1.512.1A	030	5	799.1.088.1B	018	7	821.1.001.1A	002	26	829.1.109.1B	035	1
779.1.203.3A	002	7	779.1.533.1A	023	12	799.1.089.1B	018	6	821.1.068.1B	031	4	829.1.235.1A	015	31
779.1.206.1AB	031a	15	779.4.005.2A	018	4	799.1.166.1A	031	14	821.1.068.1B	031a	28	829.1.708.1A	027	9
779.1.213.1A	030	2	779.4.075.1A	011	14	799.1.166.1A	031a	9	821.1.070.1A	002	17	829.1.709.1A	028	11
779.1.221.1B	030	19	779.4.116.1A	021	11	799.1.174.1A	029	30	821.1.075.1A	034	8	829.1.745.1A	039a	14

INDEX

CODE No.	Drwg.	POS. N.	CODE No.	Drwg.	POS. N.	CODE No.	Drwg.	POS. N.	CODE No.	Drwg.	POS. N.	CODE No.	Drwg.	POS. N.
829.1.746.1A	021	9	840.1.017.1A	14/15	19	840.1.049.1B	14/15	17	851.1.013.1A	008	11	852.1.104.2I	006	11
829.1.750.1A	019	17	840.1.018.1A	14/15	19	840.1.050.1B	14/15	17	851.1.019.1A	006	12	852.1.104.2J	006	11
829.1.950.1A	038	17	840.1.019.1A	14/15	19	840.1.051.1B	14/15	17	851.4.001.1A	004	5	852.1.120.1A	009	3
830.1.282.1B	025	21	840.1.019.1A	14/15	19	840.1.052.1B	14/15	17	852.1.005.1A	002	14	852.1.120.1A	011	7
830.1.284.1A	011	20	840.1.020.1A	14/15	19	840.1.053.1B	14/15	17	852.1.008.1A	005	10	852.1.148.1A	038	9
830.1.292.2A	040	14	840.1.021.1A	14/15	19	840.1.054.1B	14/15	17	852.1.049.1B	026	3	852.1.151.1A	031a	7
830.1.443.1A	028	27	840.1.022.1A	14/15	19	840.1.055.1B	14/15	17	852.1.053.2A	002	2	852.1.152.1A	029	38
830.1.444.1B	026	35	840.1.023.1A	14/15	19	840.1.056.1B	14/15	17	852.1.055.1A	025	3	852.1.153.1A	029	31
830.1.445.1B	026	34	840.1.024.1A	14/15	19	840.1.057.1B	14/15	17	852.1.057.1A	024	14	852.1.157.1A	022	23
830.1.446.1A	030	14	840.1.025.1A	14/15	19	840.1.058.1B	14/15	17	852.1.058.2A	025	6	852.1.160.1B	017	29
830.1.450.1A	017	32	840.1.026.1A	14/15	19	840.1.059.1B	14/15	17	852.1.059.1A	025	15	852.1.163.1A	017	16
832.1.003.1C	032	11	840.1.027.1A	14/15	19	840.2.001.1A	014	19	852.1.065.1B	031	19	852.1.167.1A	038	6
840.1.001.1A	14/15	19	840.1.028.1A	14/15	19	840.2.001.1A	015	19	852.1.065.1B	031a	1	852.1.169.1A	030	13
840.1.002.1A	14/15	19	840.1.029.1A	14/15	19	840.2.002.1B	014	17	852.1.094.1A	002	19	852.1.172.1A	002	29
840.1.003.1A	14/15	19	840.1.030.1A	14/15	19	840.2.002.1B	015	17	852.1.103.1A	026	16	852.1.172.1A	009	11
840.1.004.1A	14/15	19	840.1.031.1A	14/15	19	841.1.001.1C	035	8	852.1.104.1A	006	11	852.1.173.1A	013	2
840.1.005.1A	14/15	19	840.1.032.1A	14/15	19	841.1.002.2A	004	2	852.1.104.1B	006	11	852.1.174.1A	002	31
840.1.006.1A	14/15	19	840.1.033.1A	14/15	19	848.4.011.1A	033	6	852.1.104.1H	006	11	852.1.174.1A	009	9
840.1.007.1A	14/15	19	840.1.034.1A	14/15	19	848.4.023.1A	031a	16	852.1.104.1K	006	11	852.1.176.1A	011	24
840.1.008.1A	14/15	19	840.1.041.1B	14/15	17	850.1.015.1A	029	11	852.1.104.1L	006	11	852.1.176.1A	035	14
840.1.009.1A	14/15	19	840.1.042.1B	14/15	17	850.4.052.1A	022	19	852.1.104.1M	006	11	852.1.176.1A	039a	13
840.1.010.1A	14/15	19	840.1.043.1B	14/15	17	850.4.067.1A	030	17	852.1.104.1N	006	11	852.1.179.1A	031	16
840.1.012.1A	14/15	19	840.1.044.1B	14/15	17	850.4.082.1A	039	2	852.1.104.2C	006	11	852.1.181.1A	024	6
840.1.014.1A	14/15	19	840.1.045.1B	14/15	17	850.4.103.1A	039	3	852.1.104.2D	006	11	852.1.195.1A	005	17
840.1.015.1A	14/15	19	840.1.046.1B	14/15	17	850.4.110.1A	039a	7	852.1.104.2E	006	11	852.1.195.1A	009	13
840.1.015.1A	14/15	19	840.1.047.1B	14/15	17	851.1.001.1B	004	9	852.1.104.2F	006	11	852.1.197.1A	013	13
840.1.016.1A	14/15	19	840.1.048.1B	14/15	17	851.1.004.1A	003	13	852.1.104.2G	006	11	852.1.214.1A	014	8

INDEX

CODE No.	Drwg.	POS. N.	CODE No.	Drwg.	POS. N.	CODE No.	Drwg.	POS. N.	CODE No.	Drwg.	POS. N.	CODE No.	Drwg.	POS. N.
852.1.214.1A	015	8	856.1.071.1A	012	9	875.1.136.1A	035	11	886.4.130.1A	036	9	88713.1429	001	9
852.1.214.1A	018	11	856.1.074.2A	013	20	876.1.093.1A	034	6	886.5.003.1A	025	16	88713.1749	001	24
852.1.231.1A	030	9	856.1.075.1A	012	17	877.1.110.1A	027	15	88700.5644	001	31	88713.1994	001	25
852.4.013.1A	038	25	856.1.121.1A	012	20	877.1.118.1A	028	17	88700.5665	001	27	88713.2011	001	17
852.4.016.1A	022	8	856.1.127.1A	039a	15	877.1.120.1A	029	3	88700.5749	001	20	88713.2036	001	19
852.5.001.1C	022	12	856.1.128.1A	036	12	877.2.046.1A	034	1	88713.0123	001	5	88713.2092	001	28
852.5.004.1C	017	7	856.1.128.1A	038	18	881.1.012.1A	002	32	88713.0137	001	11	88713.2103	001	3
852.5.005.1A	009	18	856.1.128.1A	039	5	881.1.034.1A	012	18	88713.0262	001	29	88713.2133	001	26
852.5.023.1A	014	23	856.1.128.1A	039a	11	881.1.051.1A	011	23	88713.0844	001	33	88713.2282	001	30
852.5.023.1A	015	22	856.1.129.1A	026	12	881.2.001.1A	004	19	88713.0874	001	6	88713.2355	001	1
852.5.024.1A	002	5	860.1.004.1A	010	23	882.1.003.1A	008	14	88713.0875	001	8	88713.2362	001	32
852.5.024.1A	005	15	863.1.002.1A	012	22	882.1.006.1A	002	16	88713.0879	001	7	88713.2409	001a	6
852.5.024.1A	017	5	866.1.047.1A	030	11	882.1.012.1A	012	21	88713.0957	001a	12	88713.2669	001	35
852.5.024.1A	027	17	866.1.061.1A	030	6	884.4.011.1A	007	2	88713.1010	001a	14	88713.2676	001	2
852.5.024.1A	028	4	866.1.061.1A	038	27	884.5.003.1A	031	2	88713.1038	001a	4	88765.0999	001	16
852.5.024.1A	029	6	866.1.090.1A	038	30	884.5.003.1A	031a	6	88713.1058	001a	7	88765.1000	001	15
852.5.026.1A	010	29	866.1.095.1A	020	21	884.5.004.1A	025	18	88713.1062	001a	9	88765.1005	001	15
852.5.026.1A	011	25	866.1.095.1A	030	20	884.5.034.1A	002	22	88713.1068	001a	2	88765.1006	001	15
852.5.028.1A	035	3	872.1.016.1A	032	13	884.5.035.1A	005	11	88713.1071	001a	10	88765.1058	001	13
852.5.029.1A	020	20	872.1.026.1A	030	4	884.5.039.1A	009	25	88713.1072	001a	1	88765.1086	001	22
852.5.030.1A	038	13	872.1.041.1A	033	3	886.4.028.1A	015	28	88713.1073	001a	5	88765.1126C	001c	24
853.1.003.1A	010	35	872.1.042.1A	033	17	886.4.033.1A	010	37	88713.1078	001	12	88765.1126T	001c	16
853.1.003.1A	012	2	872.1.053.1A	019	10	886.4.035.1A	011	8	88713.1079	001	14	88765.1297	001	23
856.1.001.1A	003	6	872.4.044.1A	032	19	886.4.037.1A	009	4	88713.1091	001	21	88765.1298	001	18
856.1.031.1A	003	16	873.1.037.1A	009	2	886.4.043.1A	004	27	88713.1096	001a	11	88765.1371	001b	3
856.1.062.2A	008	16	875.1.052.1A	035	12	886.4.060.1A	013	11	88713.1215	001	34	88765.1374	001b	4
856.1.064.2A	010	7	875.1.065.1A	001c	3	886.4.118.1A	004	26	88713.1344	001a	13	893.2.013.1A	005	14

CATALOGUE No: 915.1.258.1B
ISSUED: 03 - 07

CATALOGUE No: 915.1.258.1B
ISSUED: 03 - 07

INDEX

CODE No.	Drwg.	POS. N.	CODE No.	Drwg.	POS. N.	CODE No.	Drwg.	POS. N.	CODE No.	Drwg.	POS. N.	CODE No.	Drwg.	POS. N.
893.4.005.1A	027	11	94247.0014	010	5									
893.4.005.1A	028	14	94247.0014	011	15									
893.4.005.1A	029	5	97900.0002	001b	2									
894.2.009.1A	009	19	97900.0003	001c	23									
895.2.018.1A	036	4	97900.0211	001b	7									
913.7.127.1B	039a	6	97900.0215	001b	1									
930.1.004.1B	026	10	97900.0216	001b	5									
930.4.022.1A	010	13	97900.0217	001b	15									
930.4.023.1A	003	14	97900.0218	001c	18									
930.4.034.1A	005	18	97900.0219	001b	10									
930.4.035.1A	004	16	97900.0220	001c	21									
930.4.049.1A	003	31	97900.0221	001c	22									
930.4.052.1A	024	18	97900.0222	001b	9									
930.4.061.1A	013	7	97900.0223	001b	11									
930.4.091.1A	005	9	97900.0224	001b	6									
930.5.012.1A	032	4	97900.0225	001b	8									
935.1.007.1A	036	2	97900.0226	001b	12									
93781.1824	033	9	97900.0227	001c	7									
93783.1524	011	11	97900.0228	001c	12									
93785.1830	010	16	97900.0229	001b	13									
93823.0128	004	32	97900.0230	001c	20									
93823.2018	004	30	97900.0231	001c	17									
93823.3156	010	19	97900.0232	001b	16									
93827.0114	005	12	97900.0234	001b	14									
93827.0114	009	22	98112.0002	001	4									
93827.0114	010	28												
94247.0014	005	19												